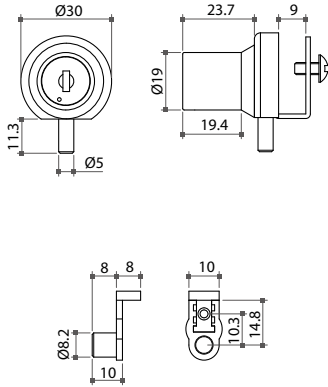


05-6 Glass Locks

68407 Swing Glass Door Lock, for single door

- * Material: zinc alloy
- * Finish: chrome, black or gold plated
- * For glass of 5 ~ 6mm thickness
- * Accessories: 2 pcs of washer and 1 pc of stop socket with pin hole locator
- * Available in K/A (key alike), K/D (key different) and master key system

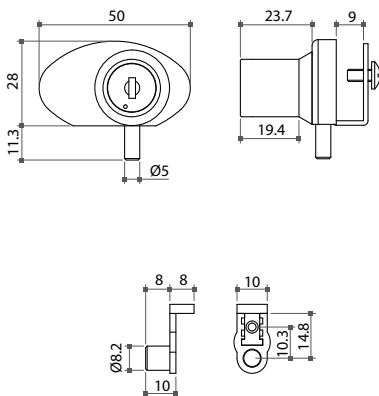


Item No.	Glass thickness
68407	5 ~ 6mm



68417 Swing Glass Door Lock, for double door

- * Material: zinc alloy
- * Finish: chrome, black or gold plated
- * For glass of 5 ~ 6mm thickness
- * Accessories: 2 pcs of washer and 1 pc of stop socket with pin hole locator
- * Available in K/A (key alike), K/D (key different) and master key system



Item No.	Glass thickness
68417	5 ~ 6mm

