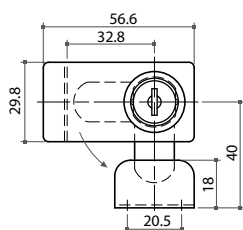
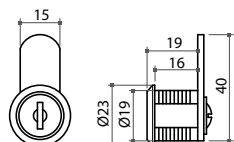


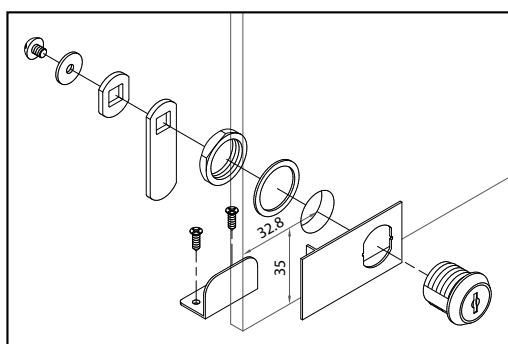
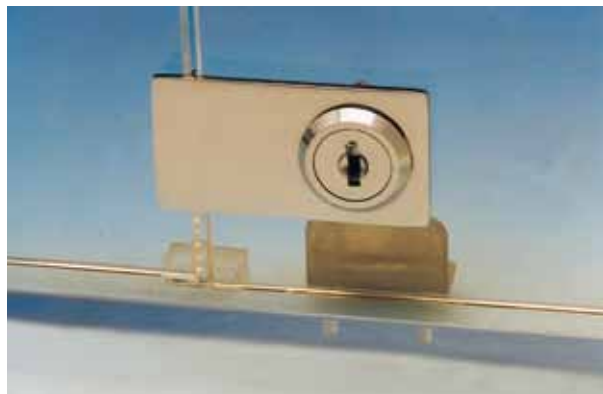
05-6 Glass Locks

68670 Double Glass Door Lock

- * Material: zinc alloy cylinder and steel front plate
- * For glass of 5 ~ 7mm thickness
- * Accessory: 1 pc of L-type steel strike plate
- * Available in K/A (key alike), K/D (key different) and master key system

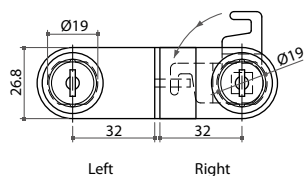
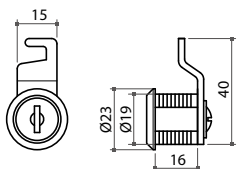


Item No.	Glass thickness
68670	5 ~ 7mm



68660 Double Glass Door Lock

- * Material: zinc alloy cylinder and steel front plate
- * Left part with decorative cylinder and steel front plate
- * Right part with lock cylinder and offset hook cam
- * Available in K/A (key alike), K/D (key different) and master key system



Item No.	Glass thickness
68660	5 ~ 6mm

