



03-1 Cabinet Sliding Door
P. 034-037

03-2 Wardrobe Sliding Door
P. 038-041

03-3 Wardrobe Folding Door
P. 042-045

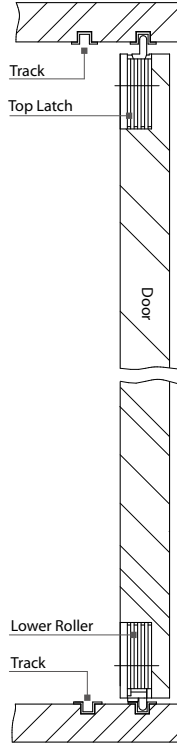
03-4 Interior Sliding Door
P. 046-051

03-5 Interior Glass
Sliding Door
P. 052-053

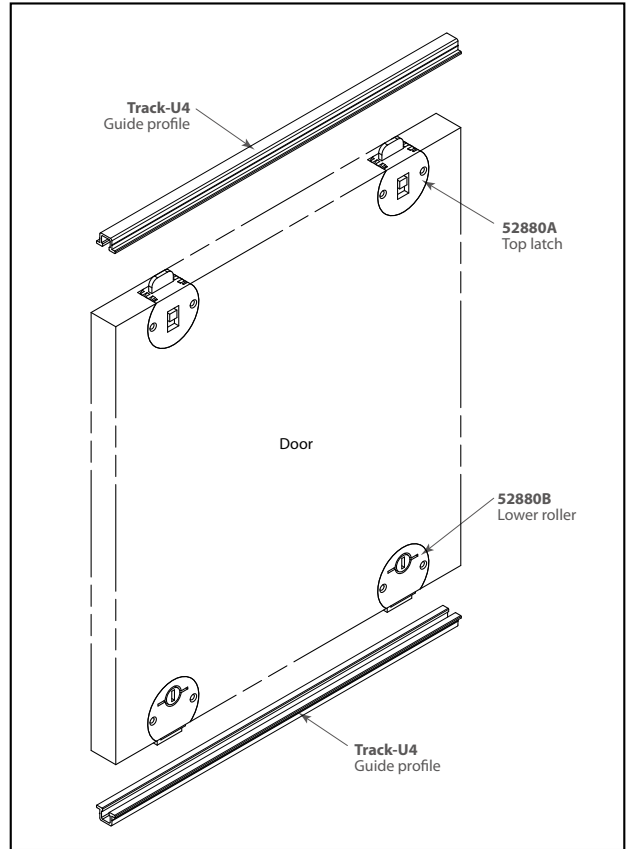
03-1 Cabinet Sliding Door

52880 Econo II Sliding Door Fittings

- * All plastic
- * For wooden door
- * Loading capacity: 12 kgs per door

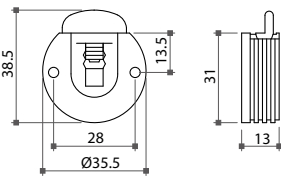


Side View



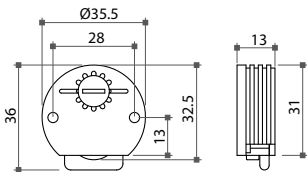
52880A Top Latch

- * Plastic, brown or white color
- * Groove size (WxHxD): Ø35.5x31x13mm



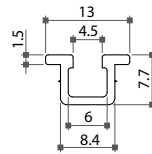
52880B Lower Roller

- * Plastic, brown or white color
- * Groove size (WxHxD): Ø35.5x31x13mm



Track-U4 Guide Profile

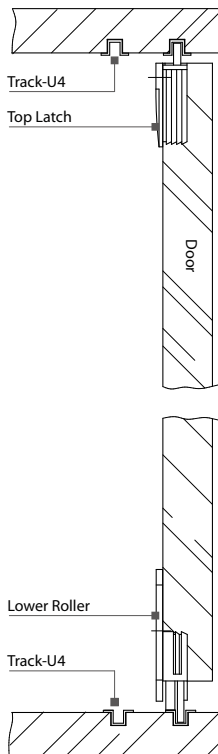
- * Knock-in fixing
- * Plastic, brown or white color



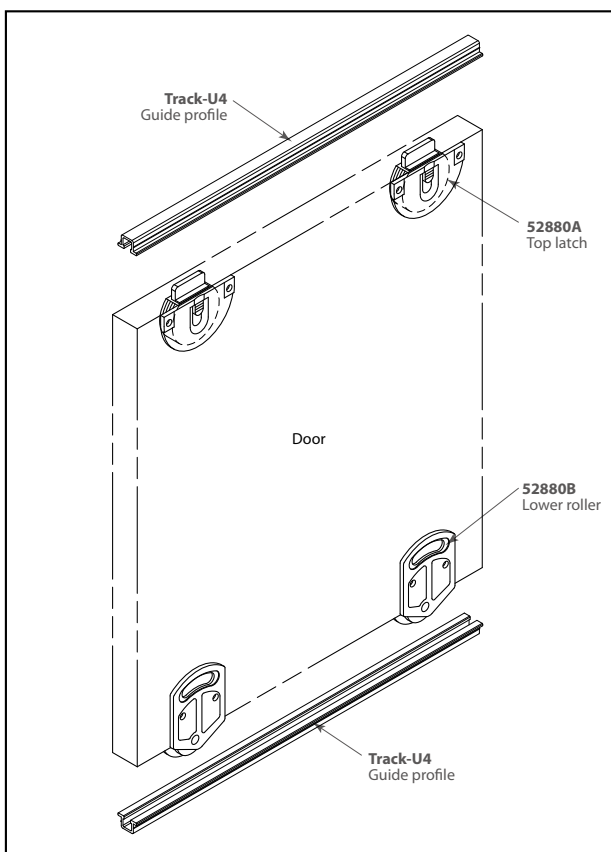
03-1 Cabinet Sliding Door

52850 Econo I Sliding Door Fittings

- * All plastic
- * For wooden door
- * Loading capacity: 12 kgs per door

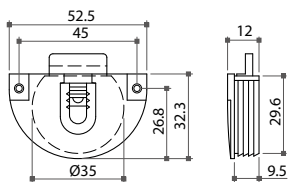


Side View



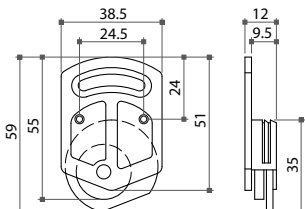
52850A Top Latch

- * Plastic, brown or white color
- * Groove size (WxHxD): $\text{\O}35 \times 29.6 \times 9.5 \text{mm}$



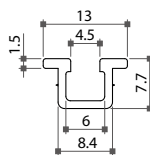
52850B Lower Roller

- * Plastic, brown or white color
- * Groove size (WxHxD): $\text{\O}35 \times 9.5 \text{mm}$



Track-U4 Guide Profile

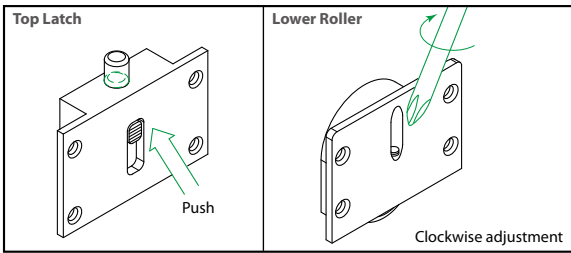
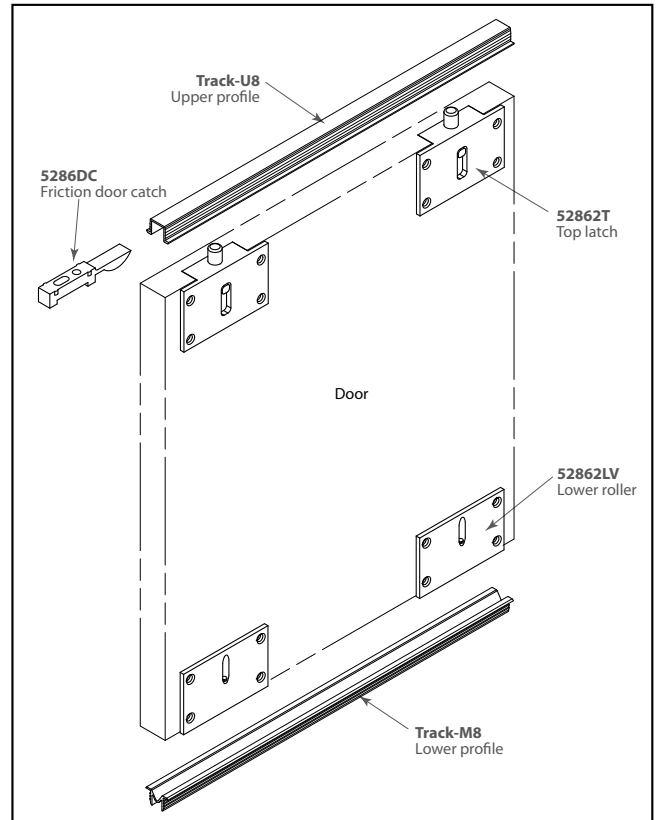
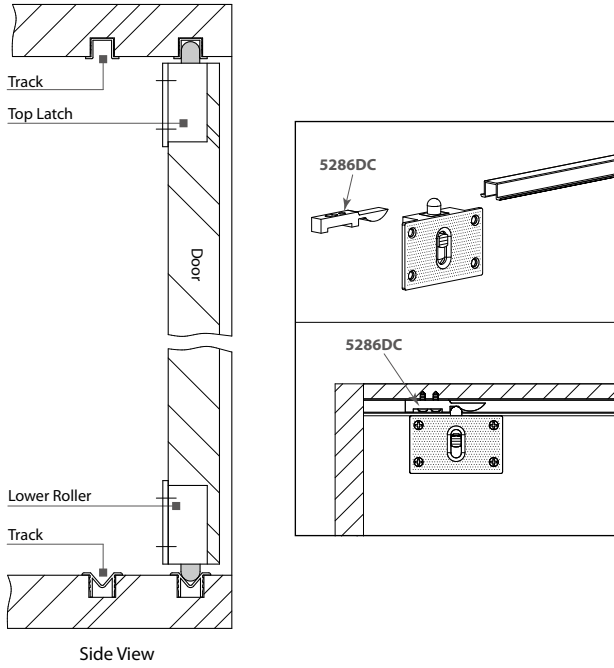
- * Knock-in fixing
- * Plastic, brown or white color



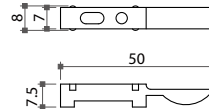
03-1 Cabinet Sliding Door

52862 Elite-PV Sliding Door Fittings

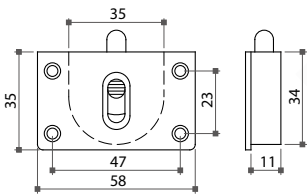
- * All plastic, V type roller guider
- * Facilitating smooth movement of sliding wooden door
- * Loading capacity: 20 kgs per door



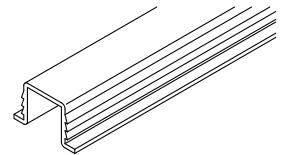
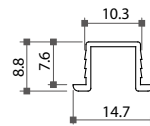
5286DC Friction Door Catch
* All plastic, black



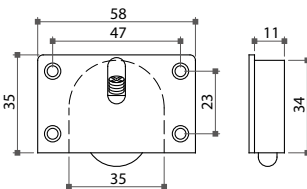
52862T Top Latch
* Plastic, black or brown color
* Groove size (WxHxD): 35x34x11mm



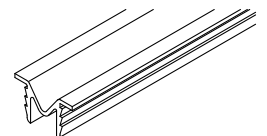
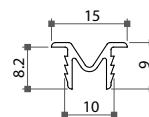
Track-U8 Upper Profile
* Aluminium, natural anodized or in other colors



52862LV Lower Roller, V type
* Plastic, black or brown color
* Groove size (WxHxD): 35x34x11mm



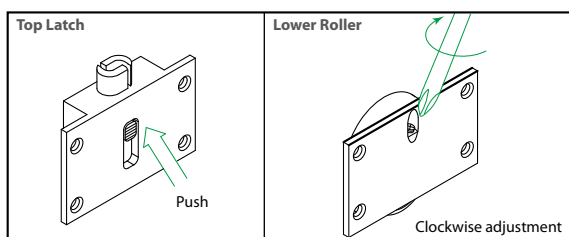
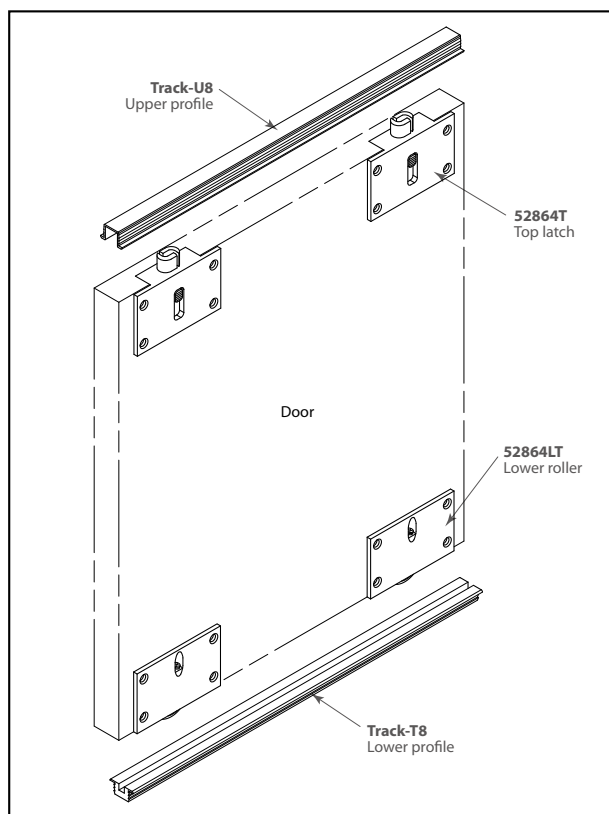
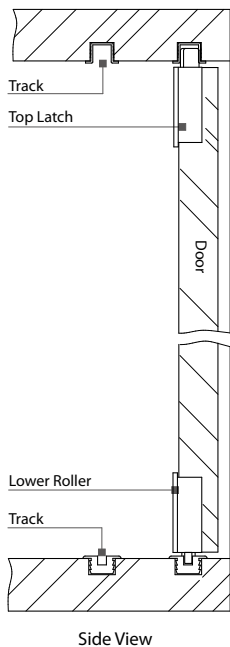
Track-M8 Lower Profile, V type
* Aluminium, natural anodized or in other colors



03-1 Cabinet Sliding Door

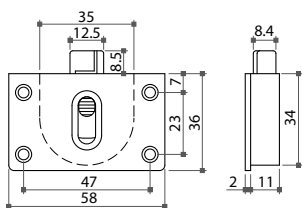
52864 Elite-PT Sliding Door Fittings

- * All plastic, T type roller guider
- * For wooden door
- * Loading capacity: 20 kgs per door



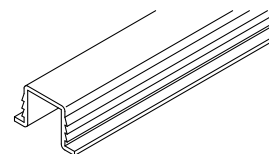
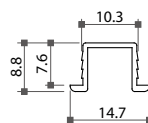
52864T Top Latch, T type

- * Plastic, black or brown color
- * Groove size (WxHxD): 35x34x11mm



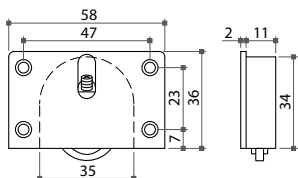
Track-U8 Upper Profile

- * Aluminium, natural anodized or in other colors



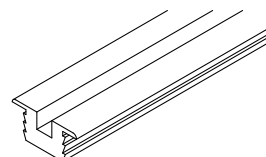
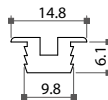
52864LT Lower Roller, T type

- * Plastic, black or brown color
- * Groove size (WxHxD): 35x34x11mm



Track-T8 Lower Profile, T type

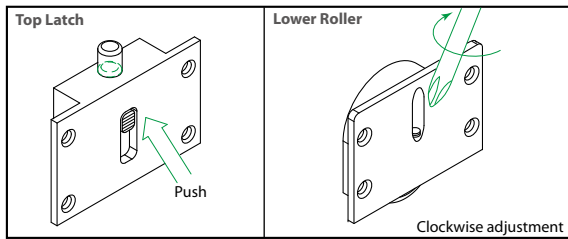
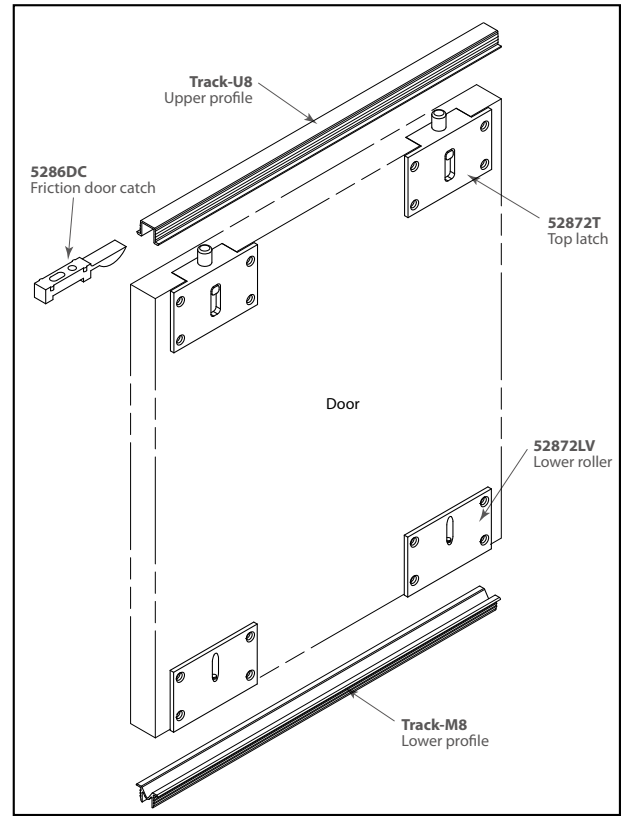
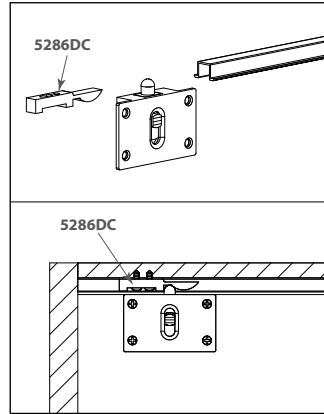
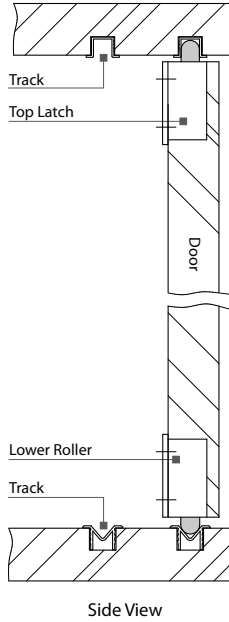
- * Aluminium, natural anodized or in other colors



03-2 Wardrobe Sliding Door

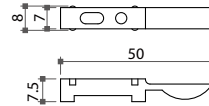
52872 Elite-SV Sliding Door Fittings

- * Stainless steel case, V type roller guider
- * Facilitating smooth movement of sliding wooden door
- * Loading capacity: 30 kgs per door



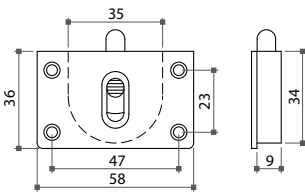
5286DC Friction Door Catch

* All plastic, black



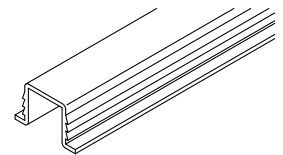
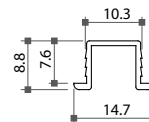
52872T Top Latch

- * Groove size (WxHxD): 35x34x9mm



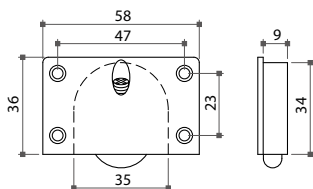
Track-U8 Upper Profile

- * Aluminium, natural anodized or in other colors



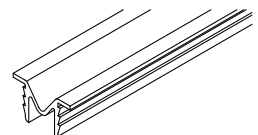
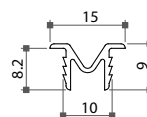
52872LV Lower Roller, V type

- * Groove size (WxHxD): 35x34x9mm



Track-M8 Lower Profile, V type

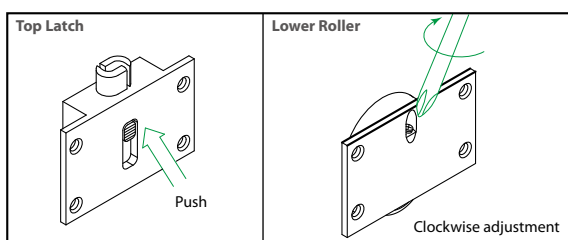
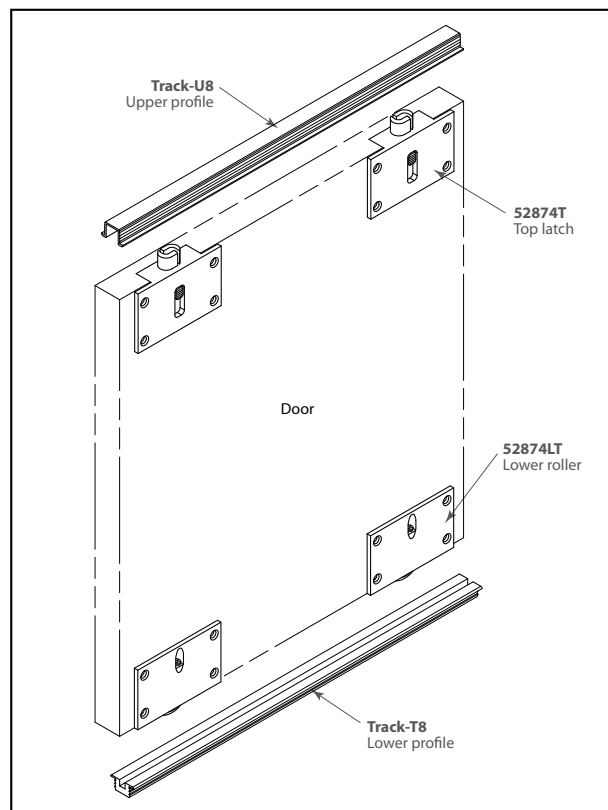
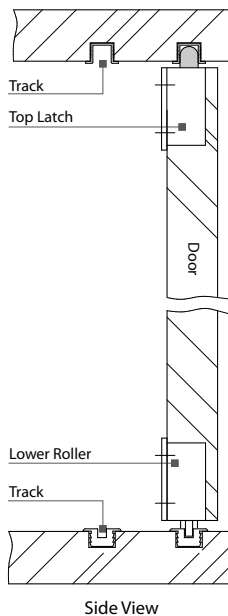
- * Aluminium, natural anodized or in other colors



03-2 Wardrobe Sliding Door

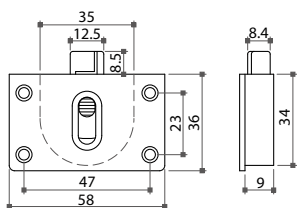
52874 Elite-ST Sliding Door Fittings

- * Stainless steel case, T type roller guider
- * For wooden door
- * Loading capacity: 30 kgs per door



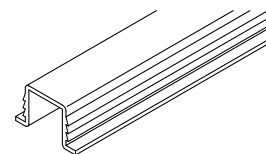
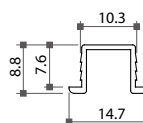
52874T Top Latch

- * Groove size (WxHxD): 35x34x9mm



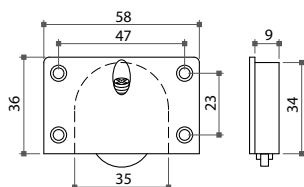
Track-U8 Upper Profile

- * Aluminium, natural anodized or in other colors



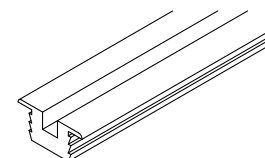
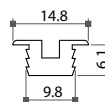
52874LT Lower Roller, T type

- * Groove size (WxHxD): 35x34x9mm



Track-T8 Lower Profile, T type

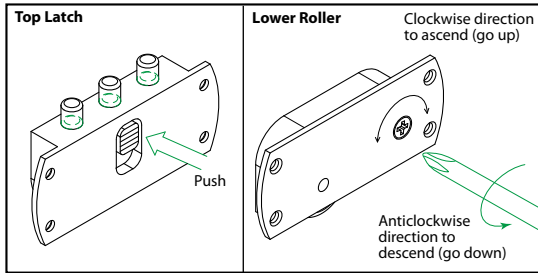
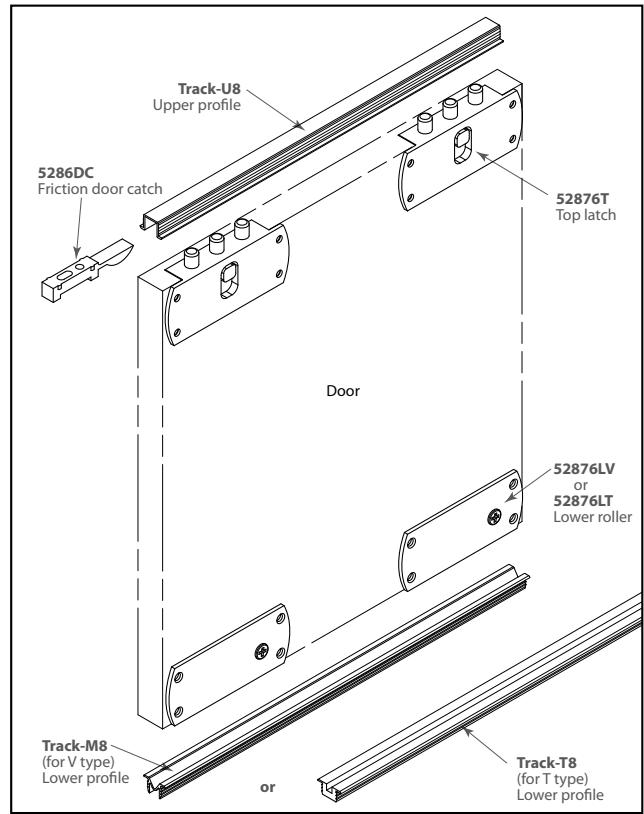
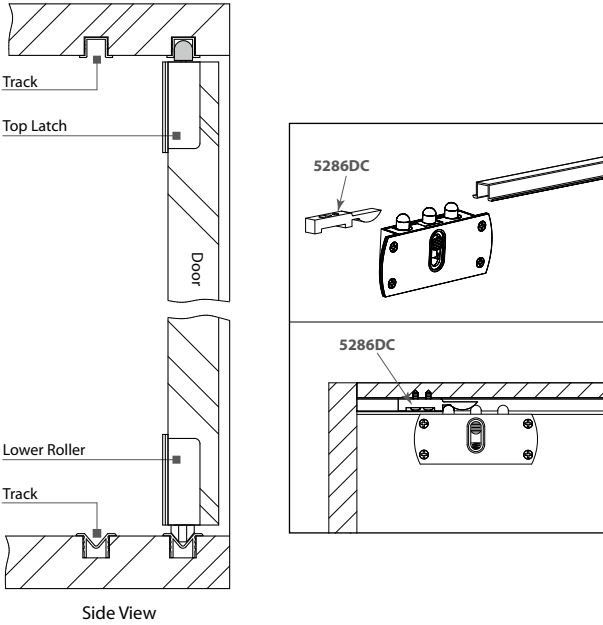
- * Aluminium, natural anodized or in other colors



03-2 Wardrobe Sliding Door

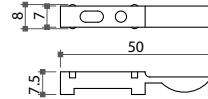
52876 Heavy-Duty Sliding Door Fittings

- * Stainless steel (#304) case, V or T type roller guider
- * For wooden door
- * Loading capacity: 80 kgs per door



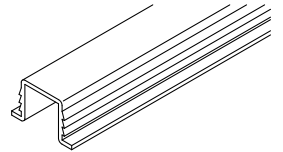
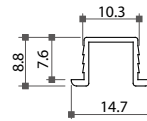
5286DC Friction Door Catch

* All plastic, black



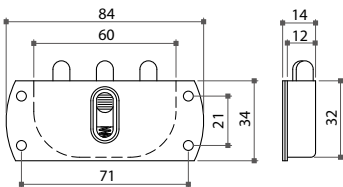
Track-U8 Upper Profile

* Aluminium, natural anodized or in other colors



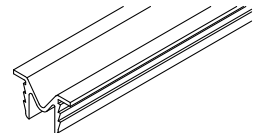
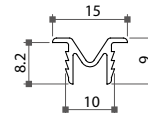
52876T Top Latch

* Groove size (WxHxD): 60x32x12mm



Track-M8 Lower Profile, V type

* Aluminium, natural anodized or in other colors

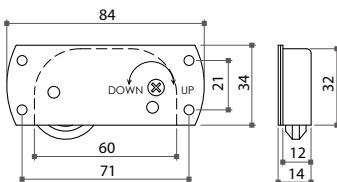


Lower Roller

52876LV V type

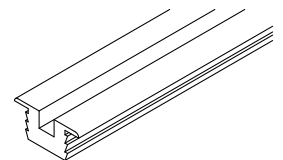
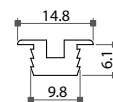
52876LT T type

* Groove size (WxHxD): 60x32x12mm



Track-T8 Lower Profile, T type

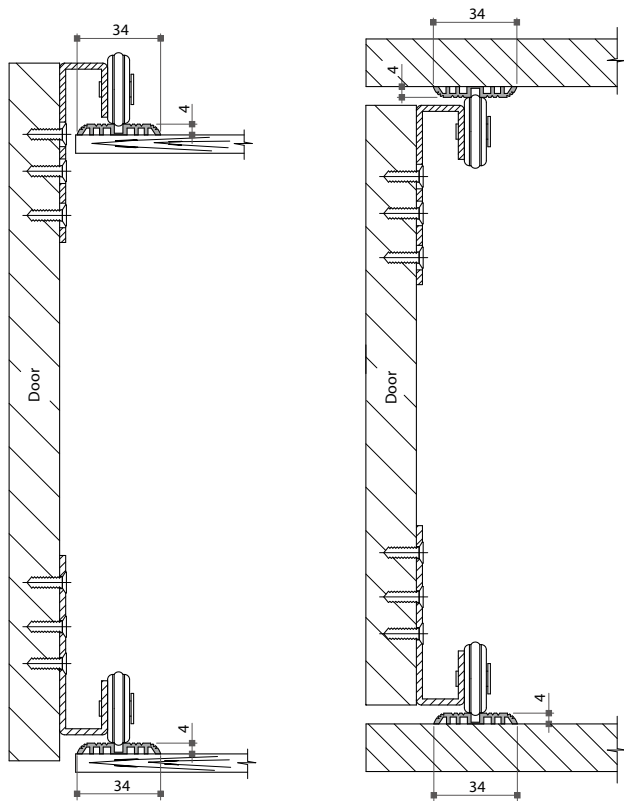
* Aluminium, natural anodized or in other colors



03-2 Wardrobe Sliding Door

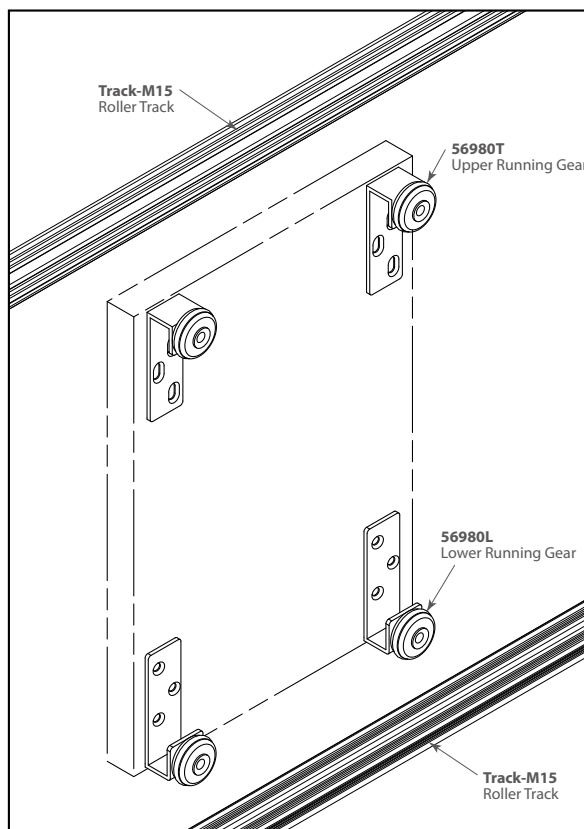
56980 Slim Sliding Door Fittings

- * For both wood and aluminium framed doors
- * Loading capacity: 12 kgs per door

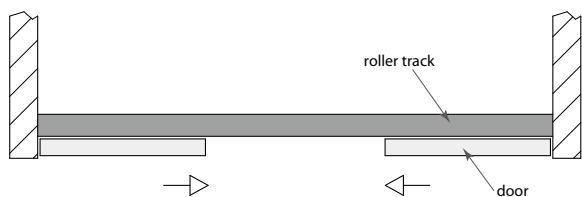


Overlay sliding door

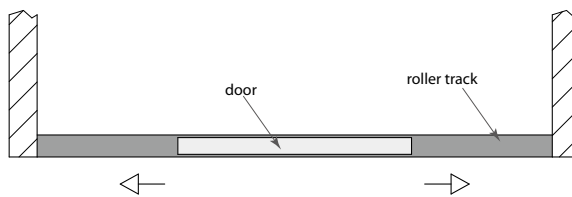
Inlay sliding door



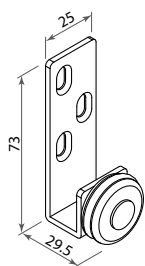
Overlay sliding door



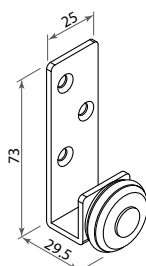
Inlay sliding door



56980T Upper Running Gear

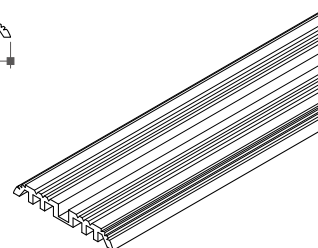


56980L Lower Running Gear



Track-M15 Roller Track, for top and bottom

* Aluminium, natural anodized



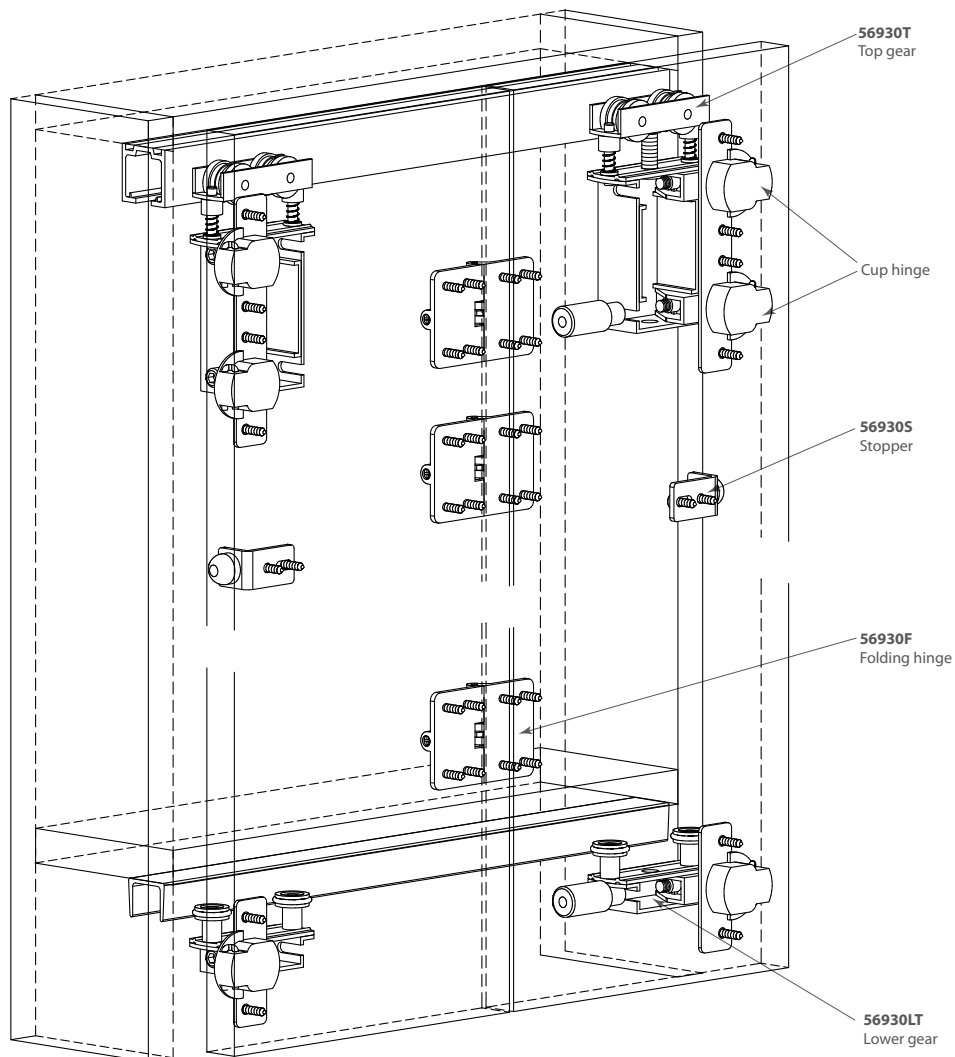
03-3 Wardrobe Folding Door

56930 Wardrobe Folding Door Hardware

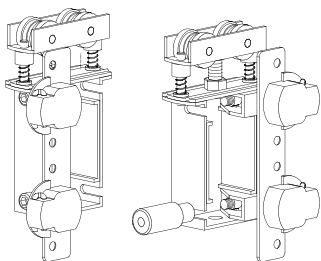
* Components function with Ø35 cup hinges which are optional

03

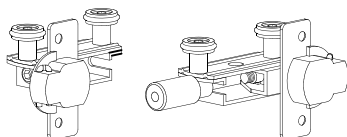
Sliding & Folding Door



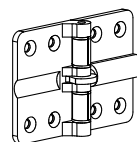
56930T Top Gear



56930LT Lower Gear



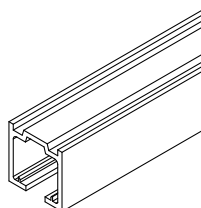
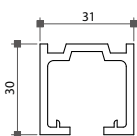
56930F Folding Hinge



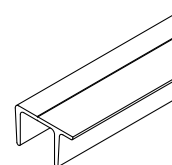
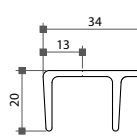
56930S Stopper



56930U Upper Track



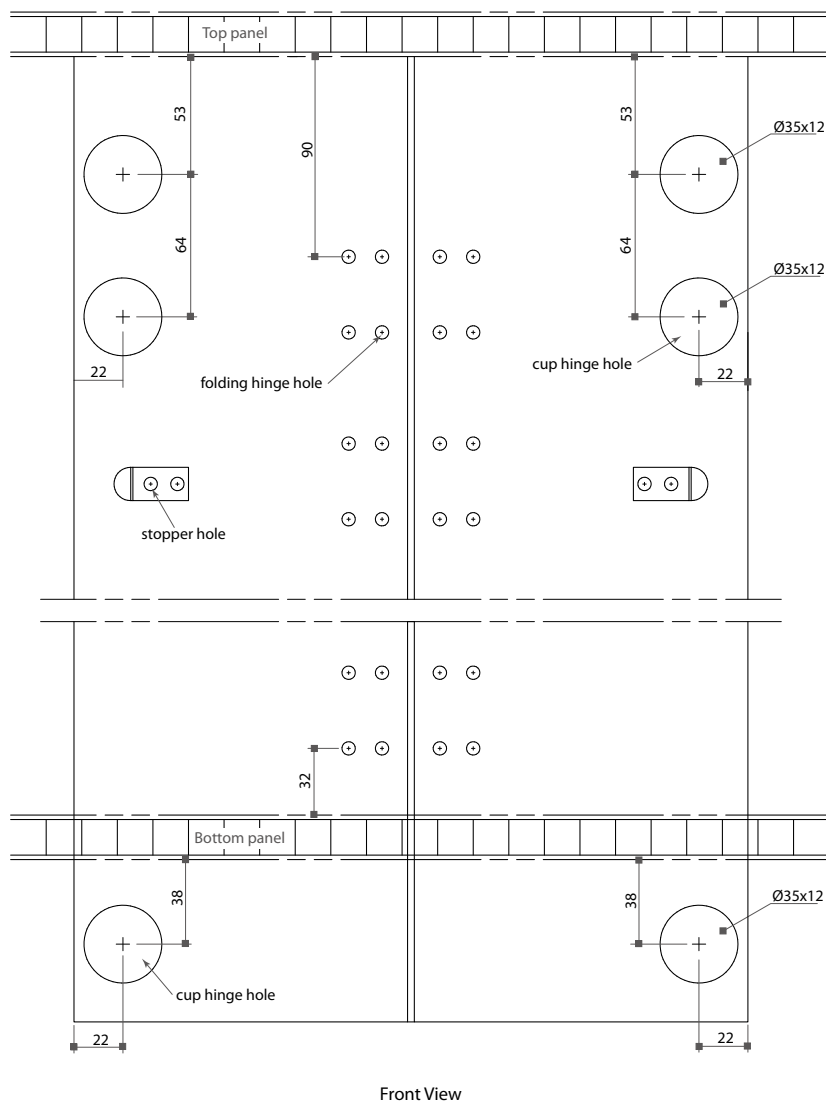
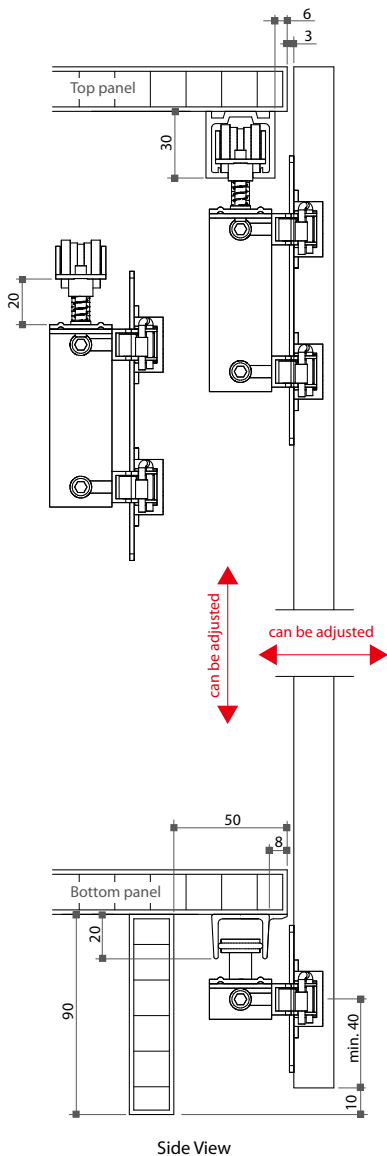
56930L Lower Track



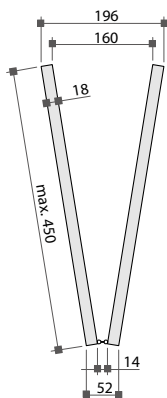
03-3 Wardrobe Folding Door Hardware

56930 Wardrobe Folding Door Hardware

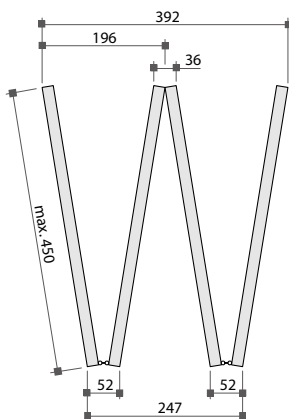
Measure



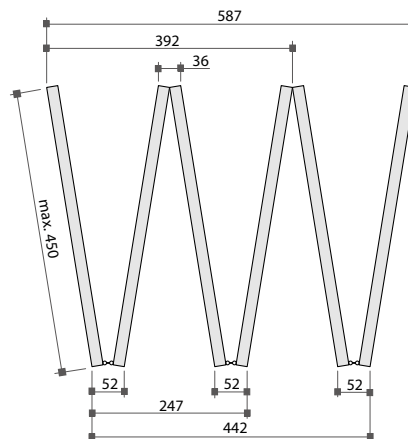
For 2 doors



For 4 doors



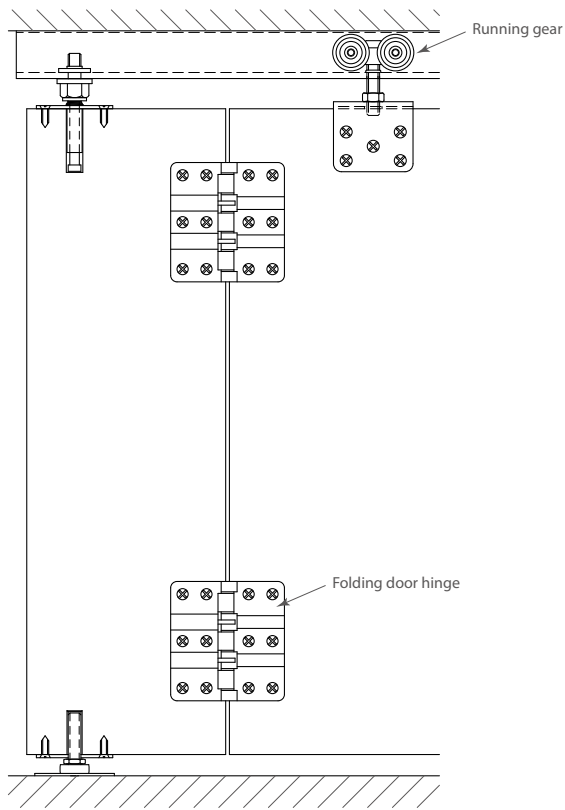
For 6 doors



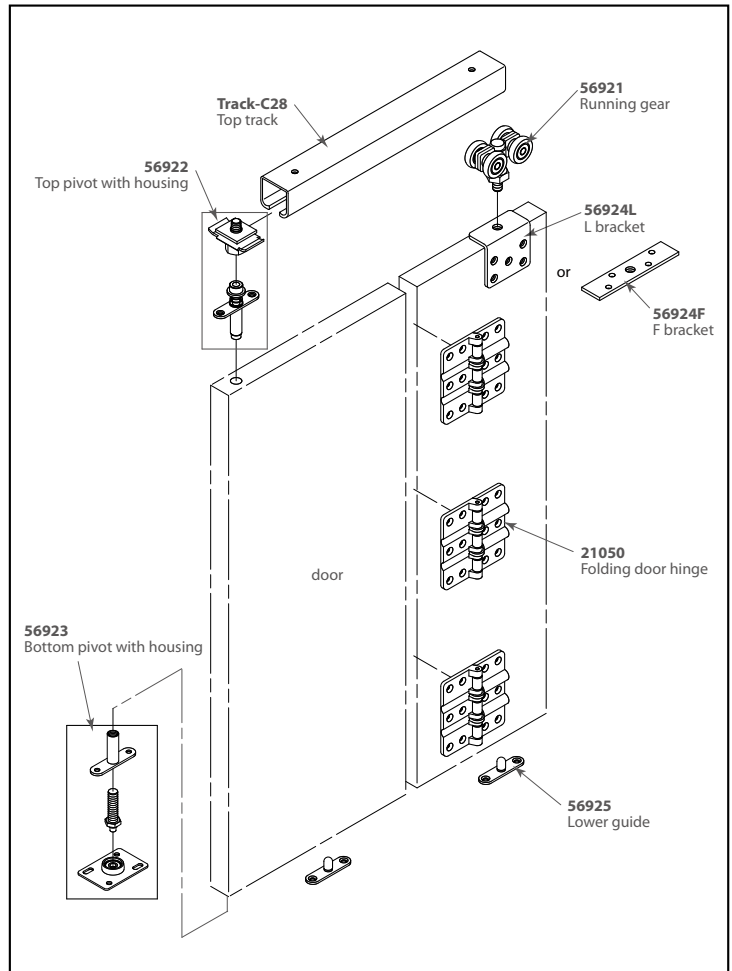
03-3 Wardrobe Folding Door

56920 Wardrobe Folding Door Hardware

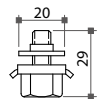
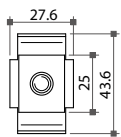
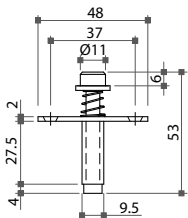
- * For wooden door
- * Each set consists of :
 - 56922** Top pivot (with top pivot housing) 1 set
 - 56923** Bottom pivot (with bottom pivot housing) 1 set
 - 56925** Lower guide 2pcs
 - 56921** Running gear & **56924** F or L bracket 1 set
 - 21050** Hinges 3pcs
 - Track-C28** Top track 1pc



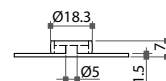
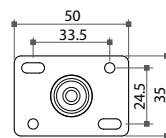
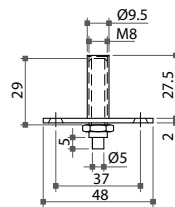
Front View



56922 Top Pivot (with housing)



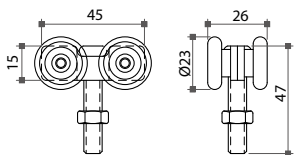
56923 Bottom Pivot (with housing)



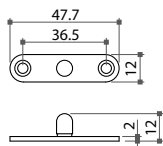
03-3 Wardrobe Folding Door

56920 Wardrobe Folding Door Hardware

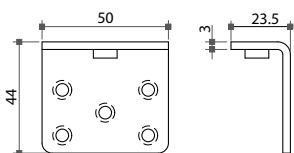
56921 Running Gear
* With ball bearing



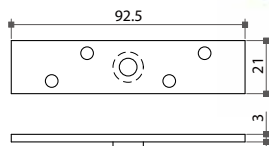
56925 Lower Guide



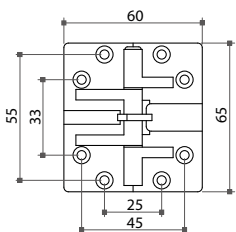
56924L L Bracket
* L type



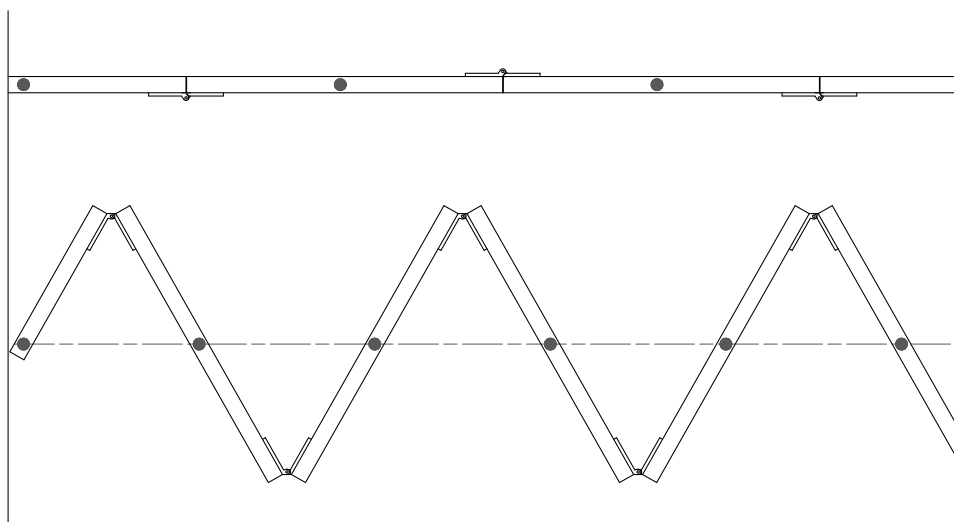
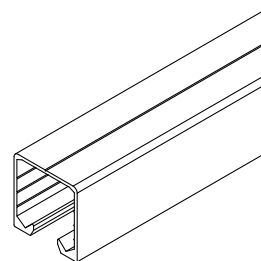
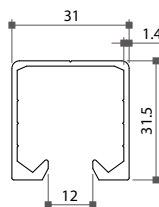
56924F F Bracket
* Flat type



21050 Folding Door Hinge
* Zamak, with spring action



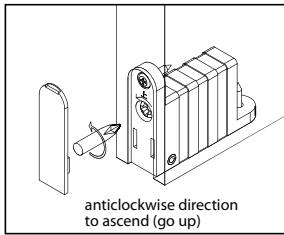
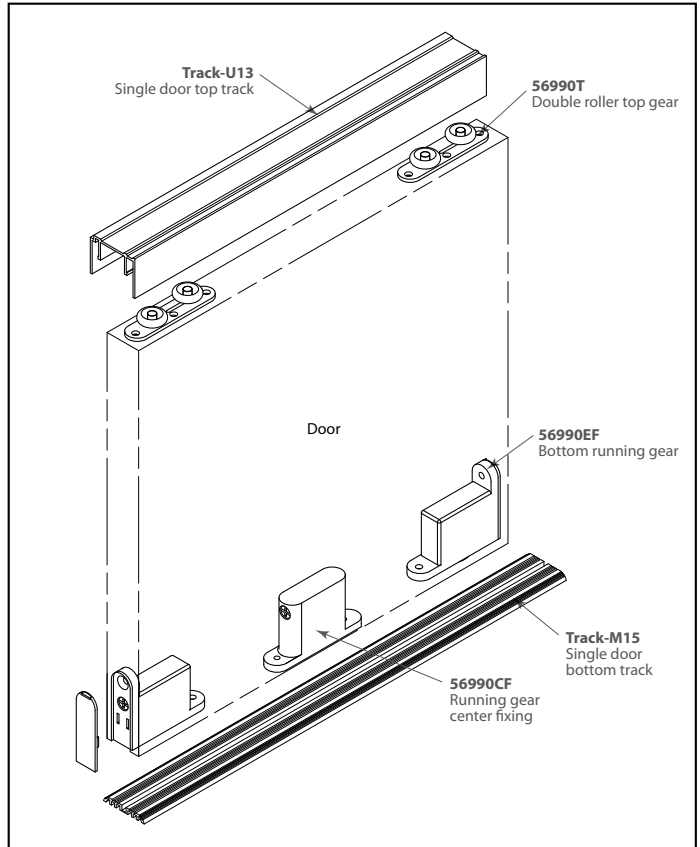
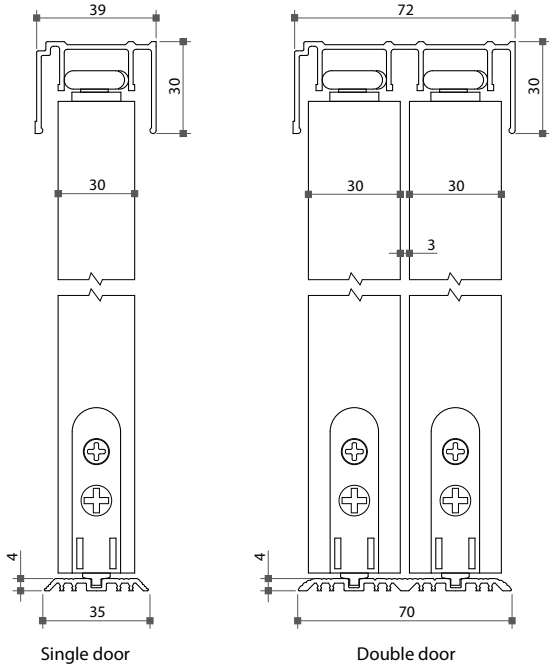
Track-C28A Top Track
* Aluminium



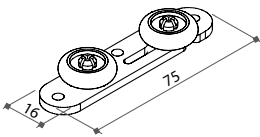
03-4 Interior Sliding Door

56990 Interior Sliding Door Fittings

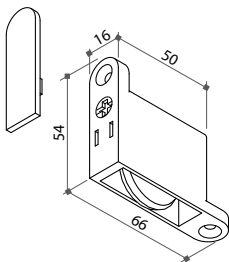
- * For wooden door
- * Loading capacity: 60 kgs per door
- * The slim bottom track minimizes the vibration of sliding motion



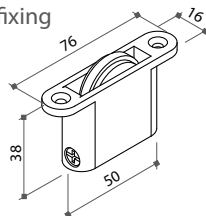
56990T Double Roller Top Gear



56990EF Bottom Running Gear
* Zamak with ball bearing
* With plastic end cover



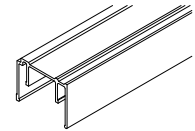
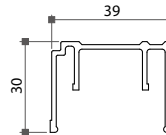
56990CF Bottom Running Gear, center fixing
* Zamak case



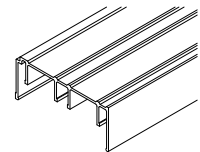
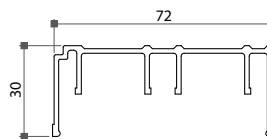
Top Track

* Aluminium, natural anodized

Track-U13 for single door



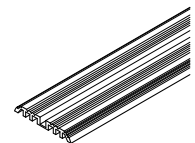
Track-U23 for double door



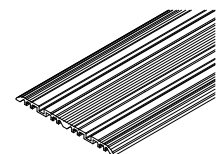
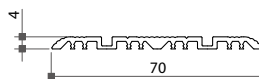
Bottom Track

* Aluminium, natural anodized

Track-M15 for single door



Track-M16 for double door



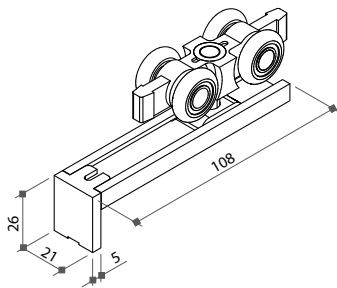
03-4 Interior Sliding Door

56940 Interior Top Hung Sliding Door Fittings

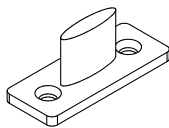
- * Precision ball-bearing conducts silent movement
- * Recessed mounting on wooden door
- * Effectively minimize the gap between the suspension fittings & the door
- * Loading capacity: 50 kgs per door



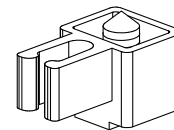
56940T Inner Running Gear



56940B Bottom Buffer

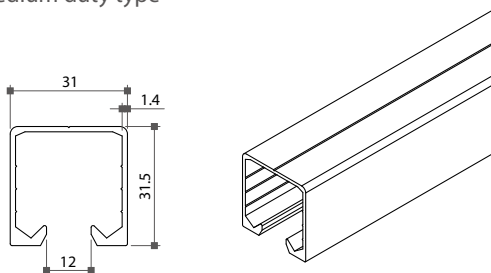


56940S Stopper



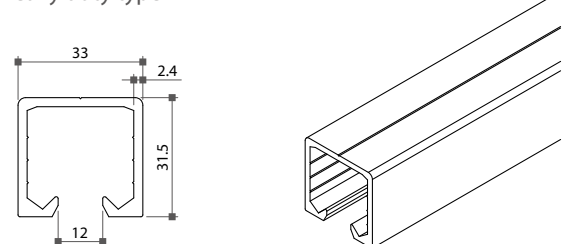
Track-C28B Aluminium Track

- * Medium duty type



Track-C28A Aluminium Track

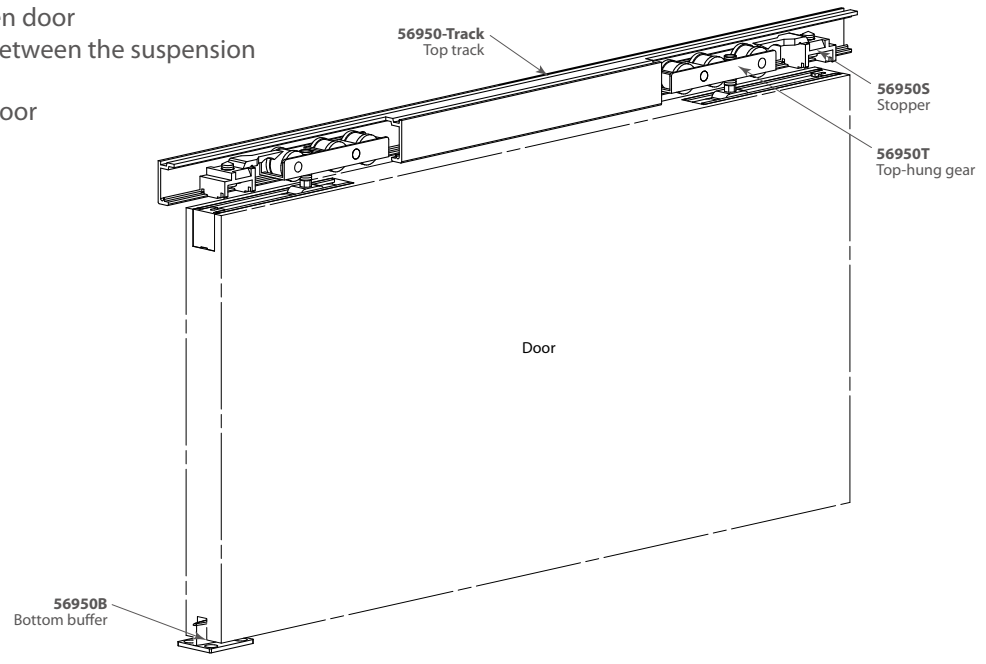
- * Heavy duty type



03-4 Interior Sliding Door

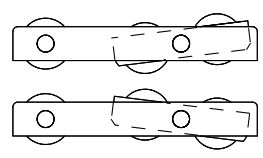
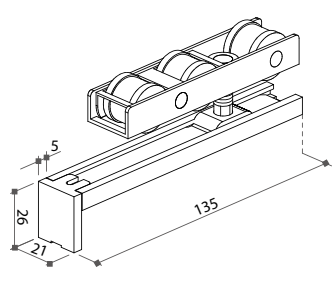
56950 Interior Top Hung Sliding Door Fittings

- * Precision ball-bearing conducts silent movement
- * Recessed mounting on wooden door
- * Effectively minimize the gap between the suspension fittings & the door
- * Loading capacity: 50 kgs per door

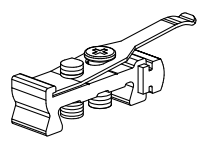


56950T Top Hung Gear

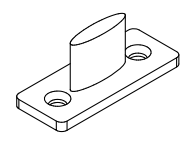
- * Zamak
- * Auto-adjust the door position to fit the slightly deformed door frame due to humidity or height different



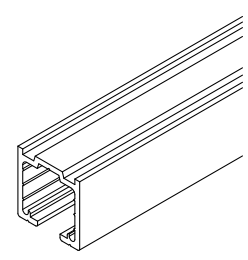
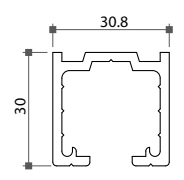
56950S Stopper



56950B Bottom Buffer



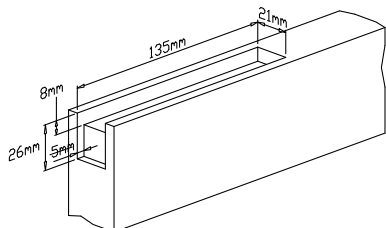
56950-Track Aluminium Track



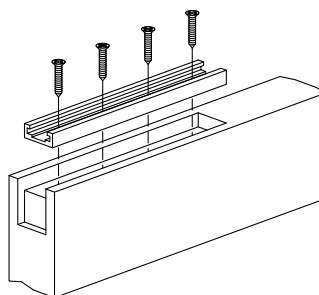
03-4 Interior Sliding Door

Mounting Instruction of 56950

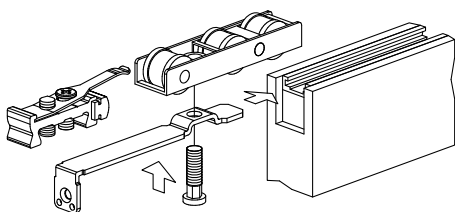
Step 1 Measure and groove



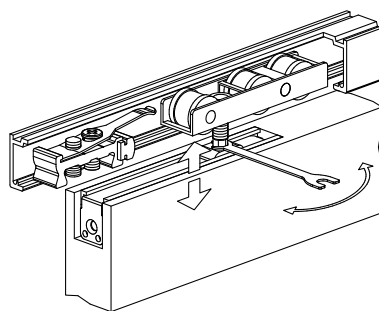
Step 2 Install the base



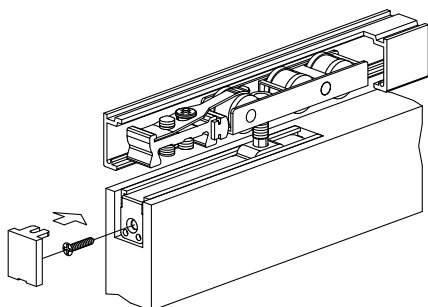
Step 3 Connect the gear and base



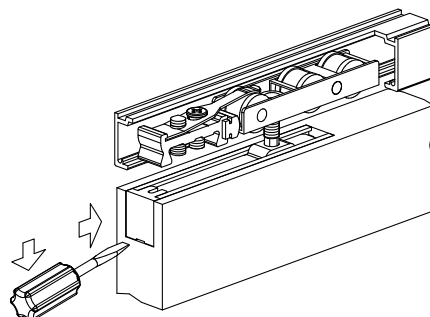
Step 4 Adjust height



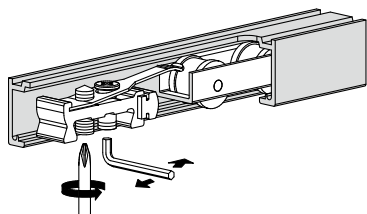
Step 5 Fasten the gear



Step 6 Fix the end cap



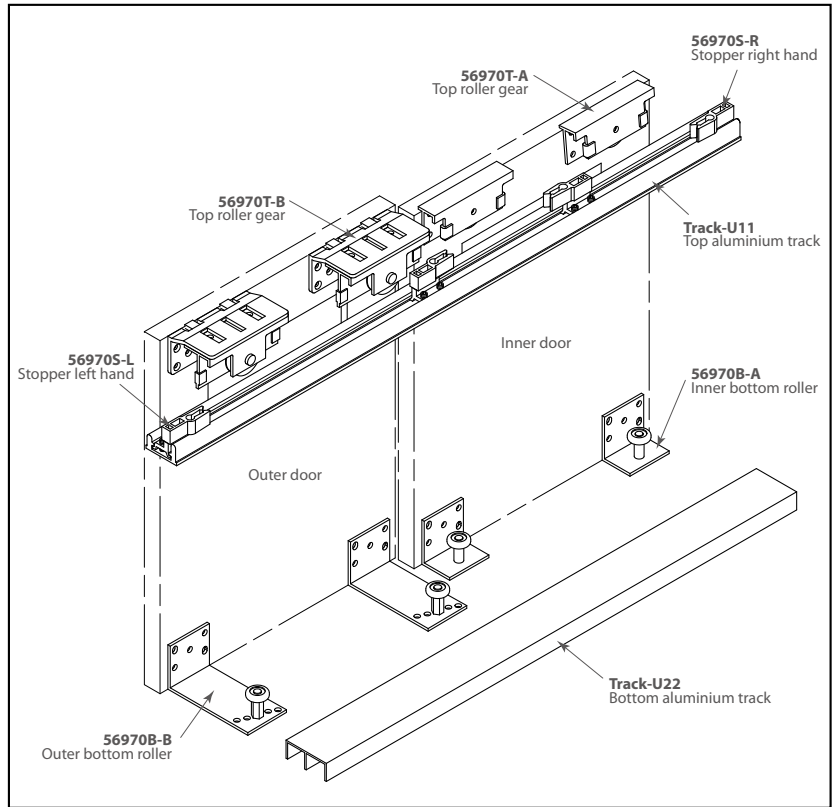
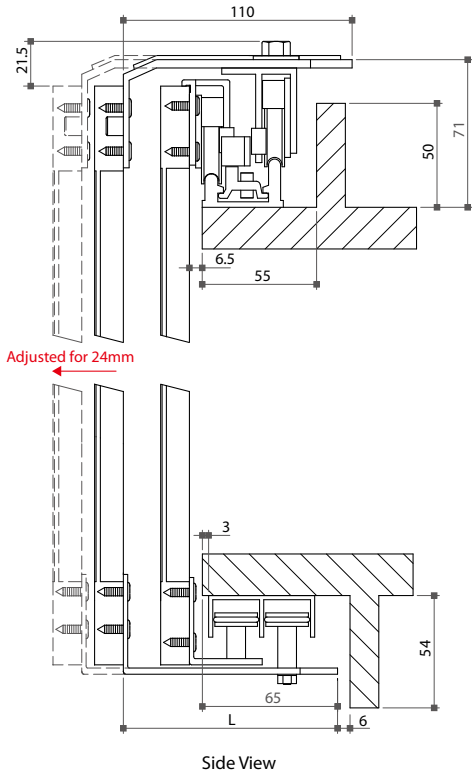
Step 7 Adjust the stopper



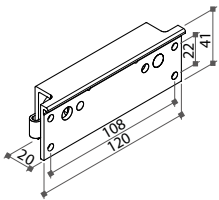
03-4 Interior Sliding Door

56970 Top Hung Interior Door Hardware

- * For wooden or aluminium framed door
- * Loading capacity: 80 kgs per door

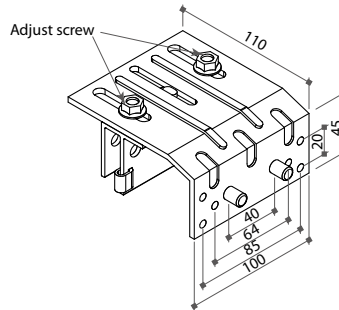


56970T-A Inner Running Gear



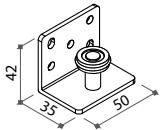
56970T-B Outer Running Gear

- * Adjustable installation position



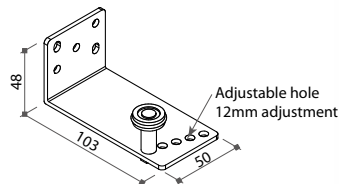
56970B-A Inner Bottom Roller

- * For wooden door
- * Dimension (LxWxH): 35x50x42mm



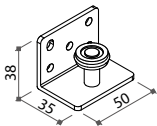
56970B-B Outer Bottom Roller

- * For wooden door
- * Dimension (LxWxH): 103x50x48mm
- * With 5 adjusting hole, 12mm adjustment



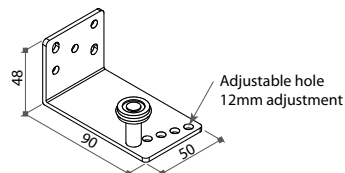
56970B-AA Inner Bottom Roller

- * For aluminium door
- * Dimension (LxWxH): 35x50x38mm



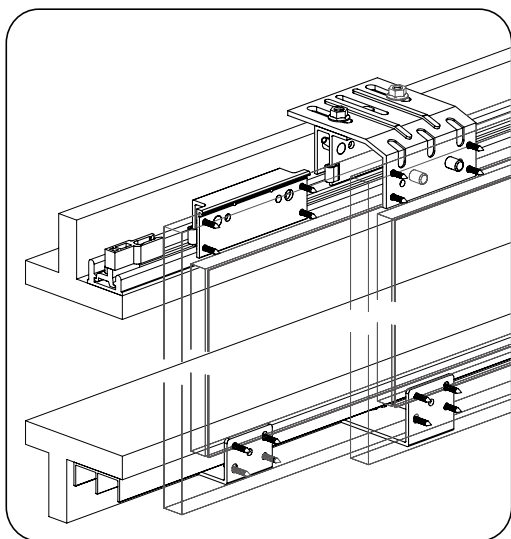
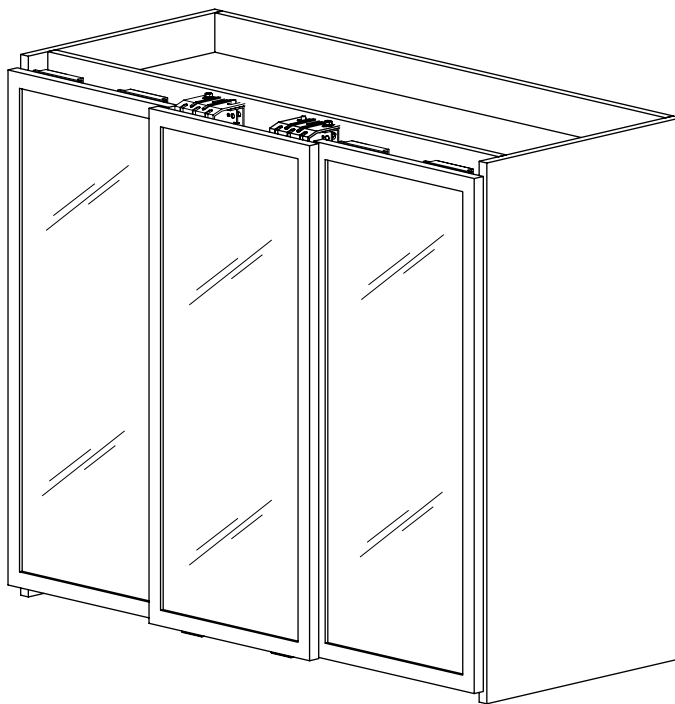
56970B-BA Outer Bottom Roller

- * For aluminium door
- * Dimension (LxWxH): 90x50x48mm
- * With 5 adjusting hole, 12mm adjustment

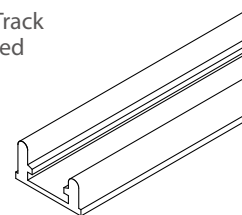
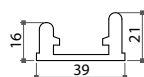


03-4 Interior Sliding Door

56970 Top Hung Interior Door Hardware

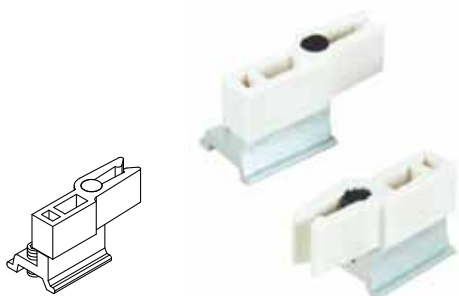
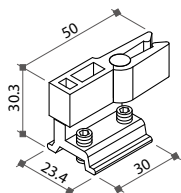


Track-U11 Top Aluminium Track
* Aluminium, natural anodized

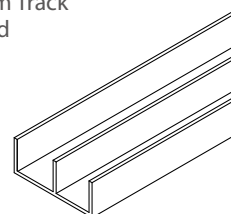
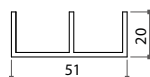


56970S-L & 56970S-R Stopper

- * 1 set contains right and left hand stopper
- * 2 sets required in 2, 3 or 4 sliding doors design



Track-U22 Bottom Aluminium Track
* Aluminium, natural anodized



Item No.	Complete hardware set	Quantity		
		(for 2 doors)	(for 3 doors)	(for 4 doors)
56970T-A	Inner running gear	2 pcs	4 pcs	4 pcs
56970T-B	Outer running gear	2 pcs	2 pcs	4 pcs
56970B-A	Inner bottom roller	2 pcs	4 pcs	4 pcs
56970B-B	Outer bottom roller	2 pcs	2 pcs	4 pcs
56970S-L & R	Stopper	2 sets	2 sets	2 sets
Track-U11	Top aluminium track	cut length to be specified		
Track-U22	Bottom aluminium track	cut length to be specified		

03-5 Interior Glass Sliding Door

03

Sliding & Folding Door

BR660 Series Suspension Sliding Door System

- * Material: stainless steel
- * Finish: mirror polished or hairline brushed
- * Can be mounted on wall or glass partition
- * Ideal for interior design

Components of BR660 system

BR660-BR Stainless Steel Bar

- * Ø25mm
- * With end caps (plastic or stainless steel)
- * Length: 2 or 3 meters (other size to be specified)



BR660-GR Bar Roller

- * To roll along the bar
- * To mount the glass door (predrilled)

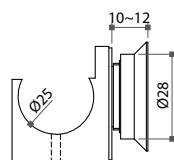


Bar Holder

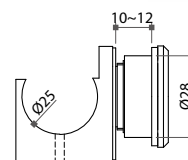
BR660-BH-T with sunken screw

BR660-BH-F with flat head screw

- * To be mounted on glass partition



BR660-BH-T



BR660-BH-F

Rail Stopper

BR660-RSL left side

BR660-RSR right side



BR660-RSL



BR660-RSR

BR660-BHW Bar Holder

- * To be mounted on solid wall



BR660-DG Glass Door Bottom Guide

- * For glass door thickness 8 ~ 12mm

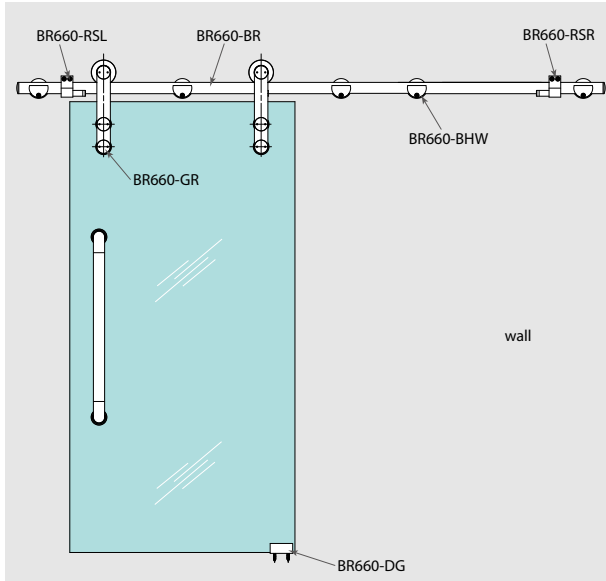


03-5 Interior Glass Sliding Door

BR660 Series Suspension Sliding Door System

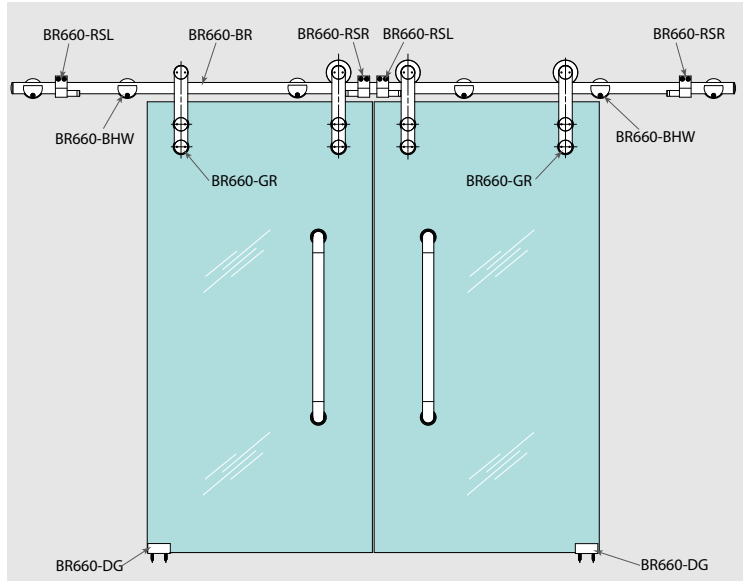
1) For glass sliding door, interior purpose

Single Door



Item No.	Quantity
BR660-BR	1 pc
BR660-BHW	5 pcs
BR660-GR	2 pcs
BR660-RSL	1 set
BR660-RSR	1 set
BR660-DG	1 pc

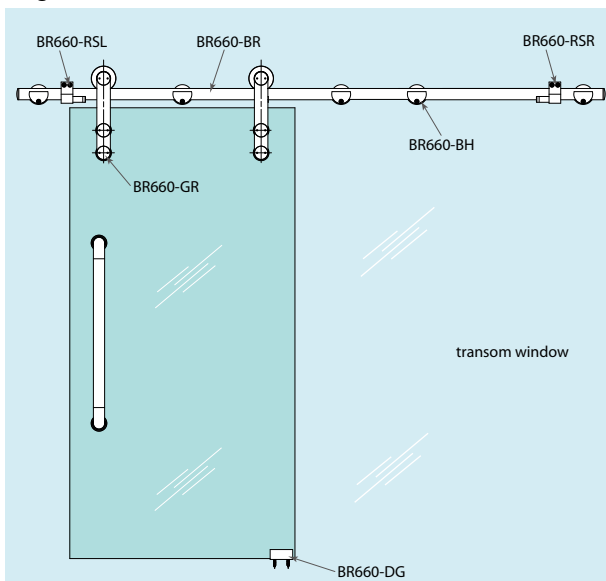
Double Door



Item No.	Quantity
BR660-BR	1 pc
BR660-BHW	6 pcs
BR660-GR	4 pcs
BR660-RSL	2 set
BR660-RSR	2 set
BR660-DG	2 pcs

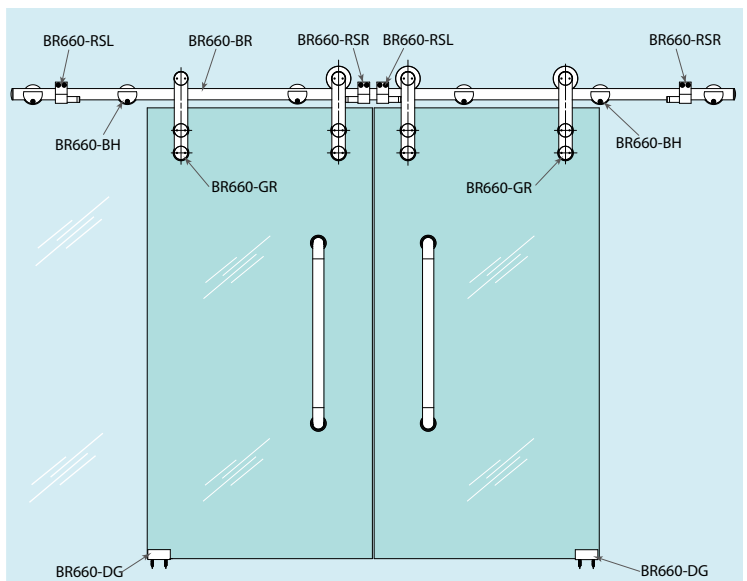
2) To be mounted on glass partition (transom window)

Single Door



Item No.	Quantity
BR660-BR	1 pc
BR660-BH	5 pcs
BR660-GR	2 pcs
BR660-RSL	1 set
BR660-RSR	1 set
BR660-DG	1 pc

Double Door



Item No.	Quantity
BR660-BR	1 pc
BR660-BH	6 pcs
BR660-GR	4 pcs
BR660-RSL	2 set
BR660-RSR	2 set
BR660-DG	2 pcs

