



14-1 Corner Storage
P. 268-280

14-2 Pull-out Storage &
Waste Bins
P. 281-283

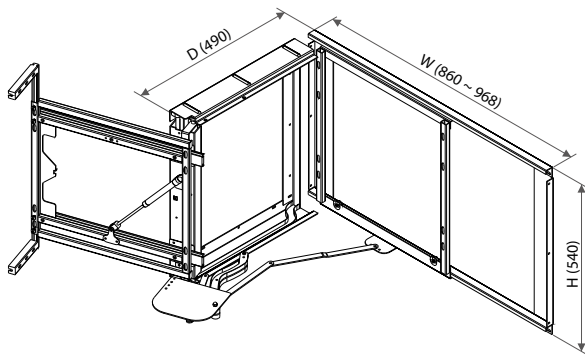
14-3 Kitchen Fittings &
Accessories
P. 284-287

14-4 Towel Rails
P. 288-290

14-1 Corner Storage

MH211-P One-Action Corner Basket Kit

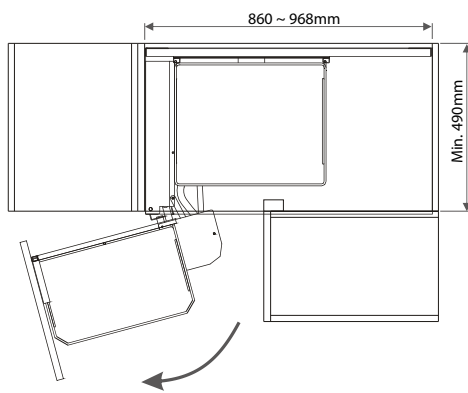
- * With ball bearing slide
- * Loading capacity: side frame 8 kgs, inner frame 15 kgs
- * Basket: stainless steel, satin finish plated
- * Frame: steel, gray epoxy
- * Door width 400 ~ 450mm
- * Applicable to left or right hand



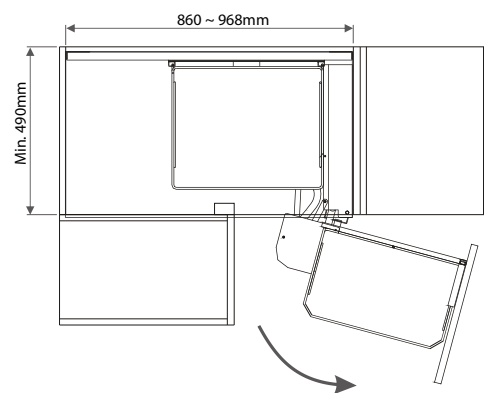
Basket A



Basket B



Left hand



Right hand

| Item No. | Dimension (HxWxD) | Baskets |
|----------|---------------------|---------------------|
| MH211-P | 540x860 ~ 968x490mm | A x2 pcs & B x2 pcs |

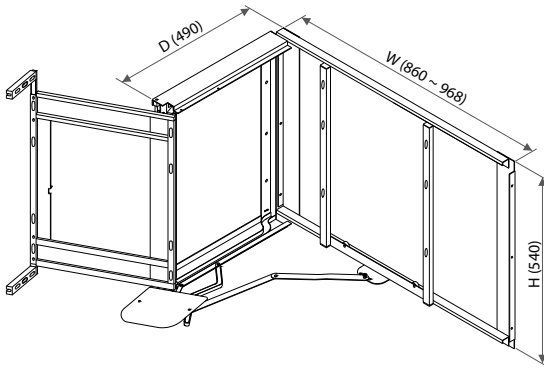
14-1 Corner Storage

One-Action Corner Basket Kit

MH111-A Steel

MH211-A Stainless steel

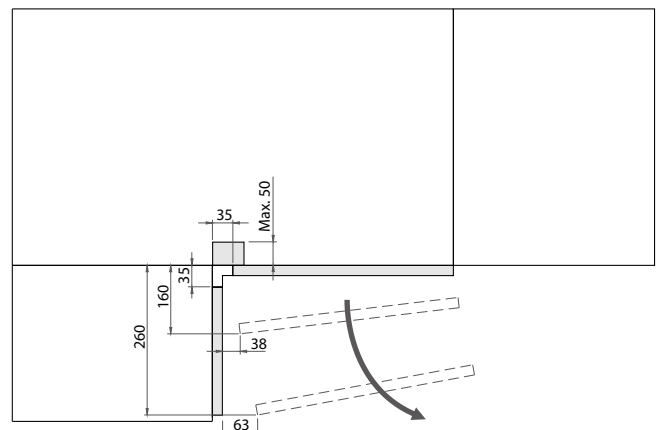
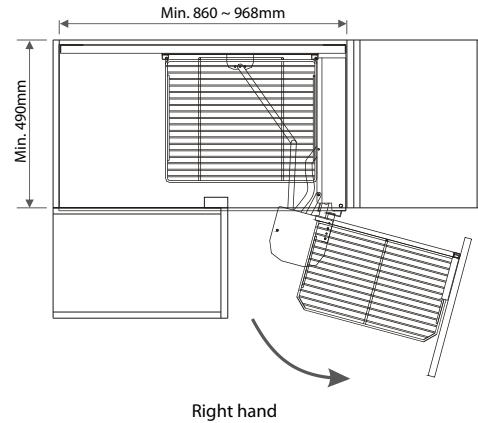
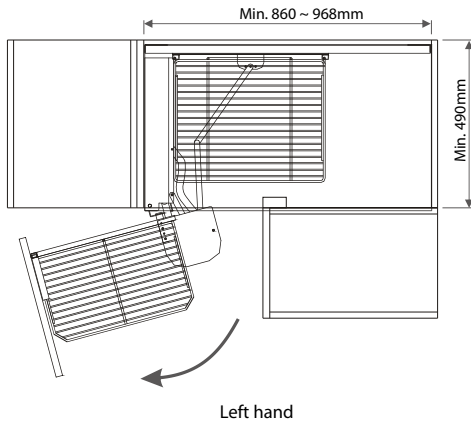
- * With ball bearing slide, soft-closing
- * Loading capacity: side frame 8 kgs, inner frame 15 kgs
- * Basket: steel or stainless steel, chrome plated
- * Frame: steel, gray epoxy
- * Door width 400 ~ 450mm
- * Applicable to left or right hand



Basket A



Basket B

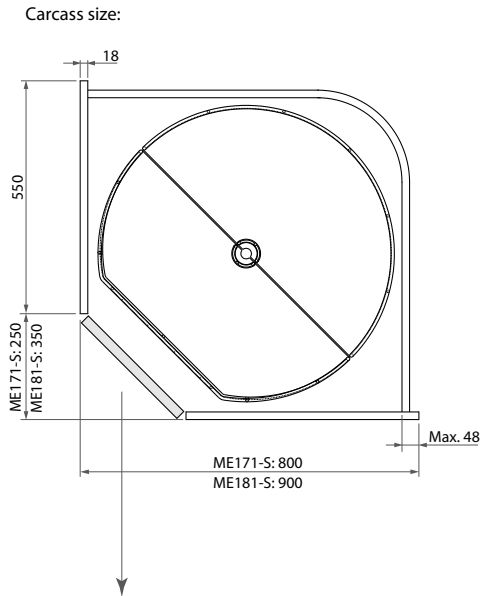


| Item No. | Dimension (HxWxD) | Baskets quantity / material |
|----------|---------------------|---------------------------------------|
| MH111-A | 540x860 ~ 968x490mm | A x2 pcs & B x2 pcs / steel |
| MH211-A | 540x860 ~ 968x490mm | A x2 pcs & B x2 pcs / stainless steel |

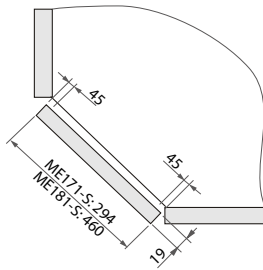
14-1 Corner Storage

Diagonal Corner Carrousel

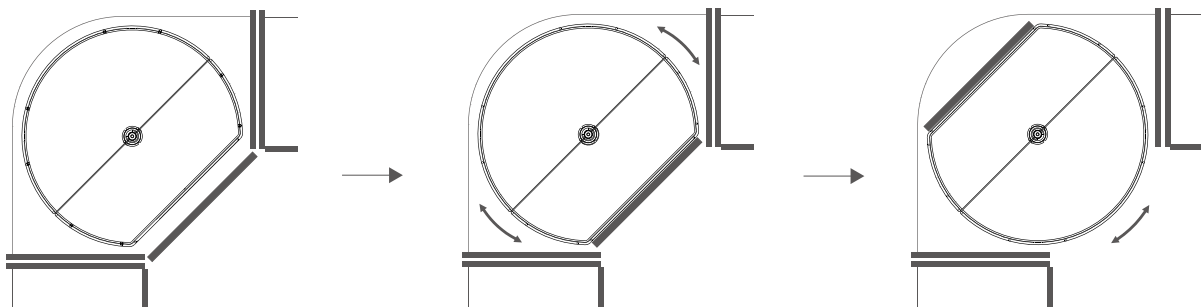
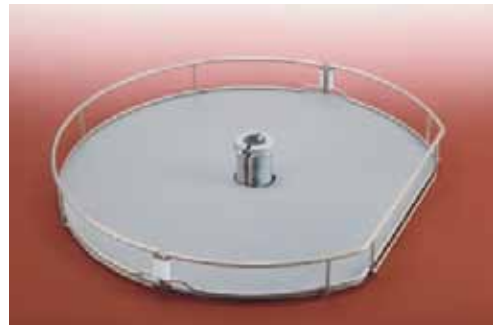
- * With slow motion
- * Loading capacity: 20 kgs
- * Basket: stainless steel, satin finish plated
- * Tube and mechanism: steel, gray epoxy



Diagonal door size:



Basket



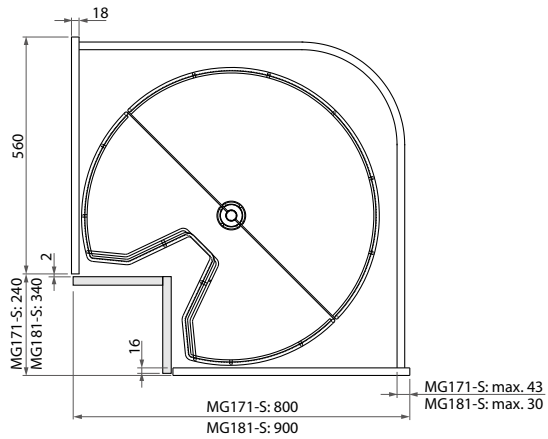
| Item No. | Dimension (HxWxD) | Baskets | Cabinet width |
|----------|---------------------|---------|---------------|
| ME171-S | 700 ~ 780x764x460mm | 2 pcs | 800mm |
| ME181-S | 700 ~ 780x864x510mm | 2 pcs | 900mm |

14-1 Corner Storage

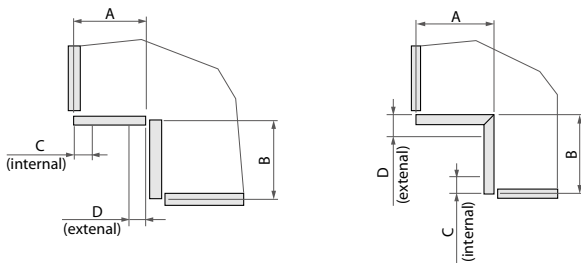
Corner Carrousel

- * With slow motion
- * Loading capacity: 20 kgs
- * Basket: stainless steel, satin finish plated
- * Tube and mechanism: steel, gray epoxy

Carcass size:



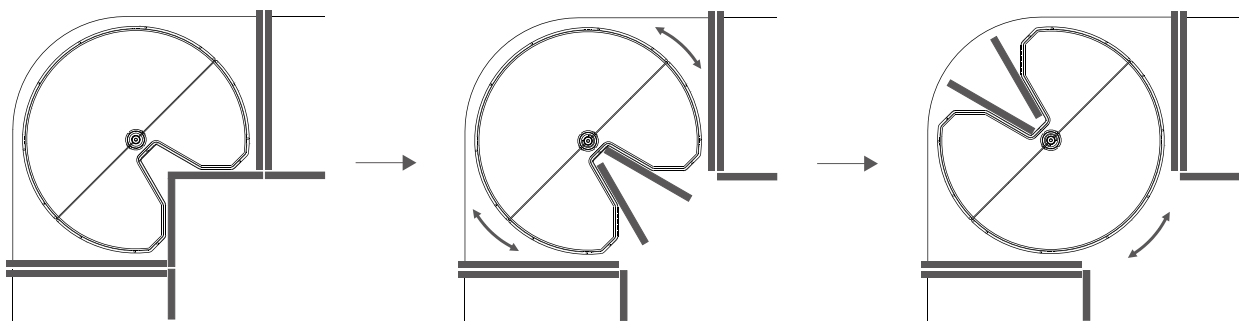
Doors with corner studs fixed at the right door:



unit: mm

| Item No. | A | B | C | D |
|----------|-----|-----|----|----|
| MG171-S | 226 | 244 | 52 | 41 |
| MG181-S | 326 | 345 | 49 | 40 |

Basket

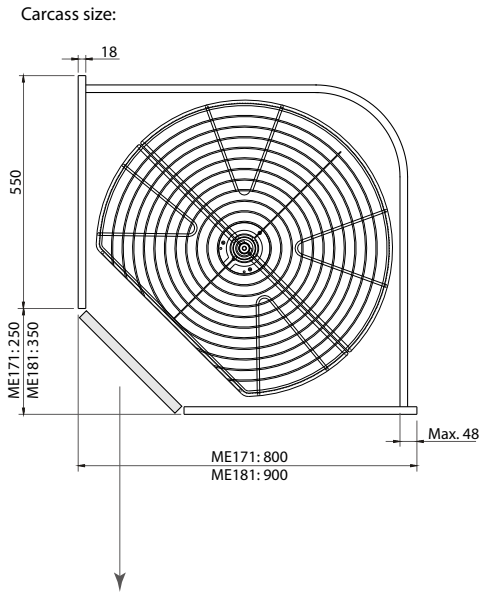


| Item No. | Dimension (HxWxD) | Baskets | Cabinet width |
|----------|---------------------|---------|---------------|
| MG171-S | 610 ~ 880x764x460mm | 2 pcs | 800mm |
| MG181-S | 610 ~ 880x864x510mm | 2 pcs | 900mm |

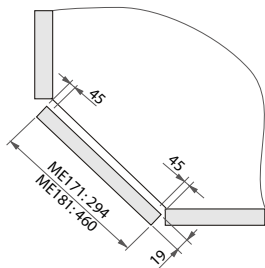
14-1 Corner Storage

Diagonal Corner Carrousel

- * With slow motion
- * Loading capacity: 20 kgs
- * Basket: steel, chrome plated
- * Tube and mechanism: steel, gray epoxy

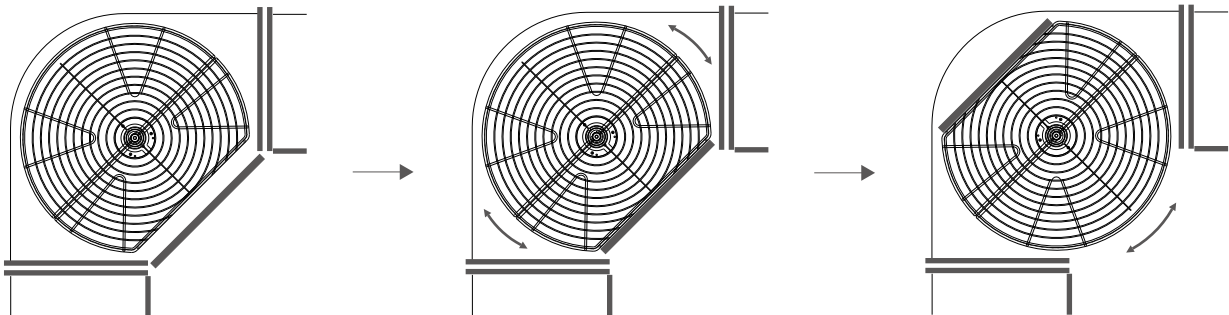
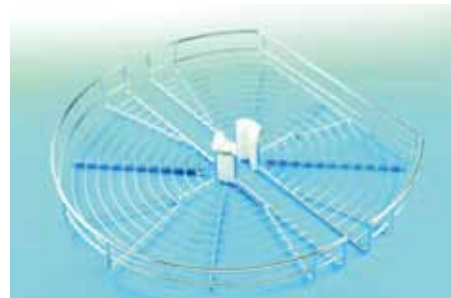


Diagonal door size:



Basket

- * Two sizes: Ø700x80mm and Ø800x80mm



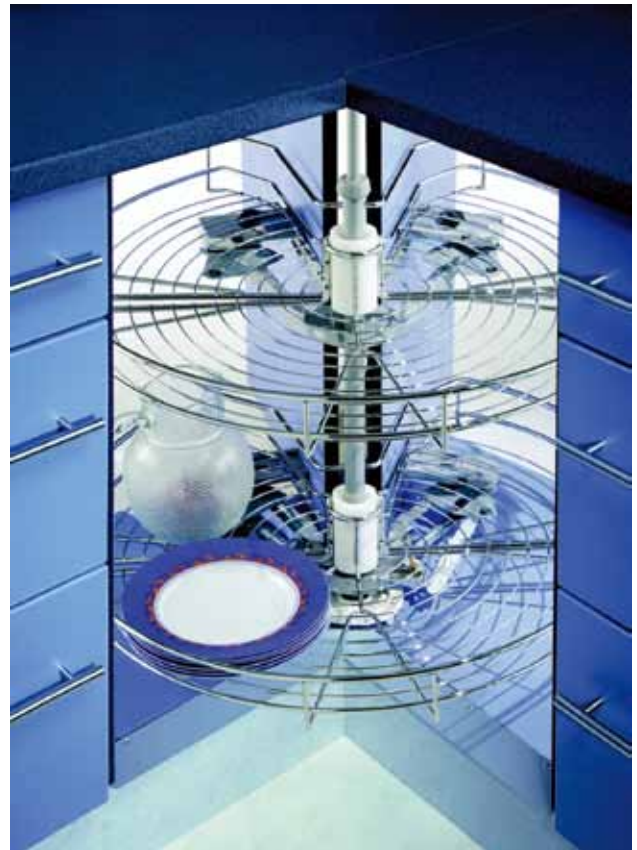
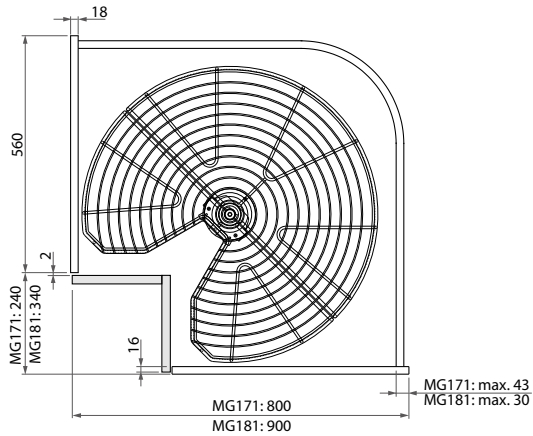
| Item No. | Dimension (HxWxD) | Baskets | Cabinet width |
|----------|---------------------|---------|---------------|
| ME171 | 700 ~ 780x764x460mm | 2 pcs | 800mm |
| ME181 | 700 ~ 780x864x510mm | 2 pcs | 900mm |

14-1 Corner Storage

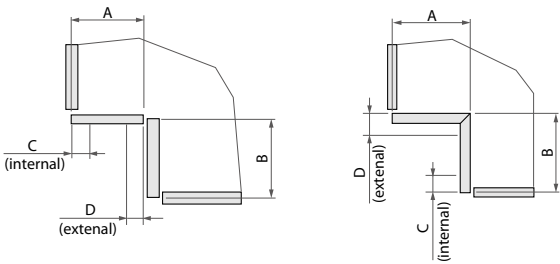
Corner Carrousel

- * Loading capacity: 20 kgs
- * Basket: steel, chrome plated
- * Tube and mechanism: steel, gray epoxy

Carcass size:



Doors with corner studs fixed at the right door:

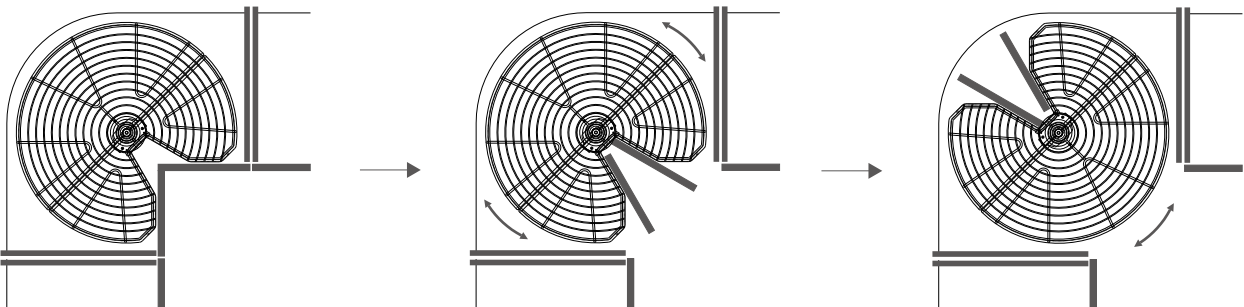
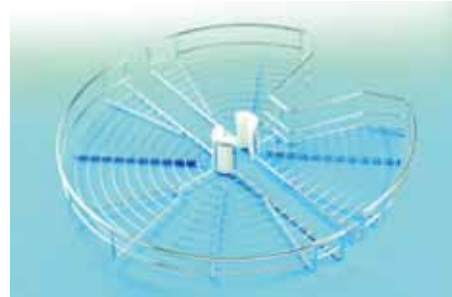


| Item No. | A | B | C | D |
|----------|-----|-----|----|----|
| MG171 | 226 | 244 | 52 | 41 |
| MG181 | 326 | 345 | 49 | 40 |

unit: mm

Basket

- * Two sizes: Ø700x80mm and Ø800x80mm

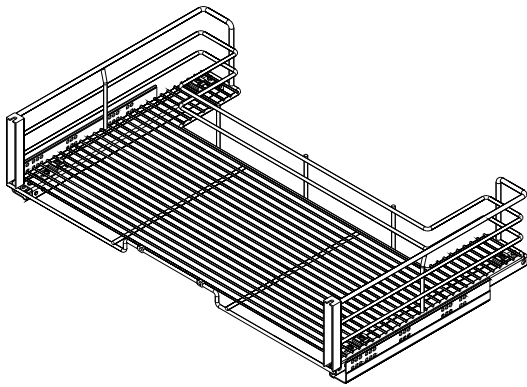


| Item No. | Dimension (HxWxD) | Baskets | Cabinet width |
|----------|---------------------|---------|---------------|
| MG171 | 610 ~ 880x764x460mm | 2 pcs | 800mm |
| MG181 | 610 ~ 880x864x510mm | 2 pcs | 900mm |

14-1 Corner Storage

Under Sink Pull-out Basket, 154mm Depth Cut-out

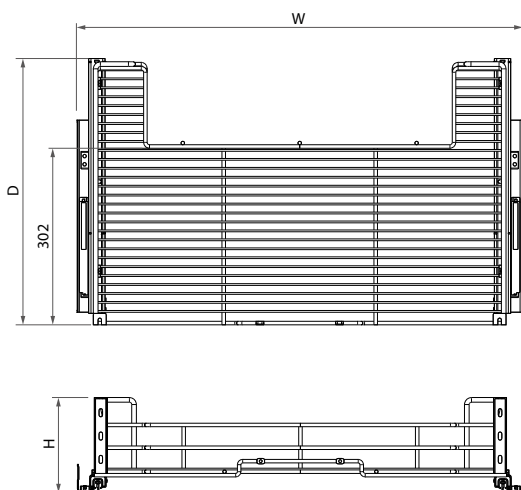
- * With soft-closing concealed slide, 450mm L.
- * Loading capacity: 25 kgs
- * Basket: stainless steel, chrome plated



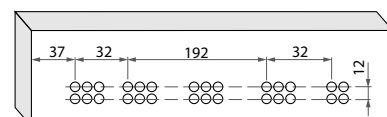
Basket



Concealed Slide, 450mm L.



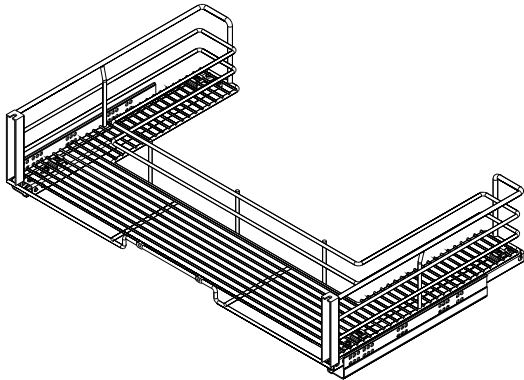
| Item No. | Dimension (HxWxD) | Basket | Cabinet width |
|----------|-------------------|--------|---------------|
| KQ280-CB | 163x764x456mm | 1 pc | 800mm |
| KQ290-CB | 163x864x456mm | 1 pc | 900mm |
| KQ210-CB | 163x964x456mm | 1 pc | 1,000mm |



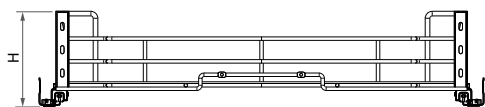
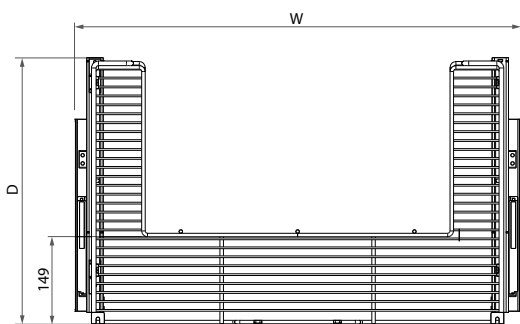
14-1 Corner Storage

Under Sink Pull-out Basket, 307mm Depth Cut-out

- * With soft-closing concealed slide, 450mm L.
- * Loading capacity: 25 kgs
- * Basket: stainless steel, chrome plated



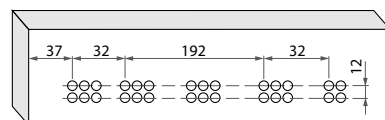
Basket



Concealed Slide, 450mm L.



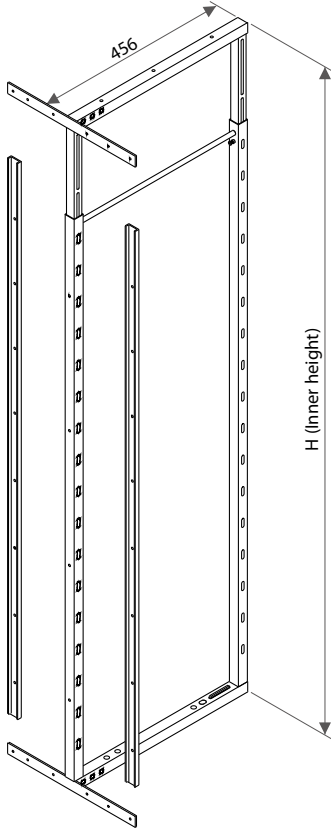
| Item No. | Dimension (HxWxD) | Basket | Cabinet width |
|----------|-------------------|--------|---------------|
| KQ280-CA | 163x764x456mm | 1 pc | 800mm |
| KQ290-CA | 163x864x456mm | 1 pc | 900mm |
| KQ210-CA | 163x964x456mm | 1 pc | 1,000mm |



14-1 Corner Storage

Tall Unit Pull-out Basket - Heavy Duty

- * With heavy duty runner
- * Loading capacity: 60 kgs
- * Basket: steel or stainless steel, chrome plated
- * With metal frames for tall units, steel in gray epoxy



Basket A



Basket B



Basket finish: steel, chrome plated

| Item No. | Dimension (HxWxD) | Baskets | Cabinet width |
|----------|-------------------------|-------------------|---------------|
| HB131-C | 1,570 ~ 1,870x264x490mm | Bx10 pcs | 300mm |
| HB141-C | 1,570 ~ 1,870x364x490mm | Bx10 pcs | 400mm |
| HB152-C | 1,570 ~ 1,870x464x490mm | Ax6 pcs & Bx4 pcs | 500mm |
| HC131-C | 1,870 ~ 2,170x264x490mm | Bx12 pcs | 300mm |
| HC141-C | 1,870 ~ 2,170x364x490mm | Bx12 pcs | 400mm |
| HC152-C | 1,870 ~ 2,170x464x490mm | Ax8 pcs & Bx4 pcs | 500mm |

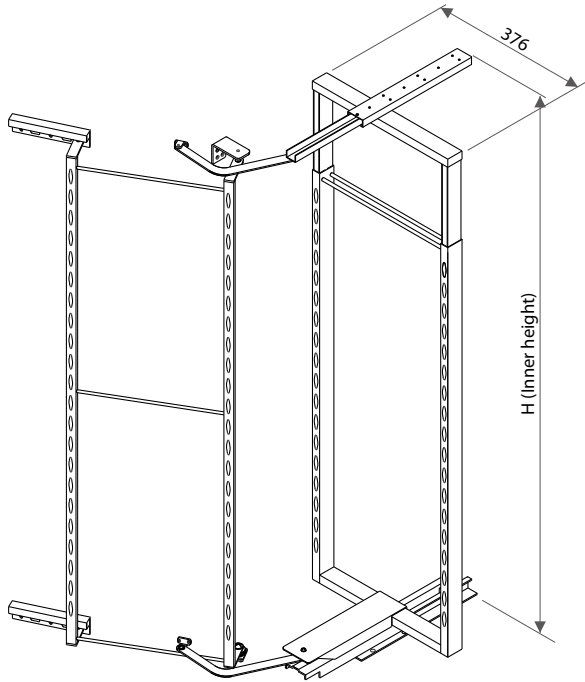
Basket finish: stainless steel, chrome plated

| Item No. | Dimension (HxWxD) | Baskets | Cabinet width |
|----------|-------------------------|-------------------|---------------|
| HB231-C | 1,570 ~ 1,870x264x490mm | Bx10 pcs | 300mm |
| HB241-C | 1,570 ~ 1,870x364x490mm | Bx10 pcs | 400mm |
| HB252-C | 1,570 ~ 1,870x464x490mm | Ax6 pcs & Bx4 pcs | 500mm |
| HC231-C | 1,870 ~ 2,170x264x490mm | Bx12 pcs | 300mm |
| HC241-C | 1,870 ~ 2,170x364x490mm | Bx12 pcs | 400mm |
| HC252-C | 1,870 ~ 2,170x464x490mm | Ax8 pcs & Bx4 pcs | 500mm |

14-1 Corner Storage

Larder Pull-out Basket - Heavy Duty

- * With 3 pcs 175° hinge
- * Basket: steel or stainless steel, chrome plated
- * With metal frames, steel in gray epoxy



Basket A



Basket B



Basket finish: steel, chrome plated

| Item No. | Dimension (HxWxD) | Baskets | Cabinet width | Loading capacity |
|----------|-------------------------|-------------------|---------------|------------------|
| AA120 | 1,225 ~ 1,570x414x510mm | Ax5 pcs & Bx5 pcs | 450mm | 40 kgs |
| AA180 | 1,765 ~ 2,110x414x510mm | Ax6 pcs & Bx6 pcs | 450mm | 50 kgs |

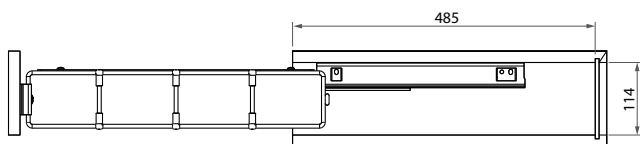
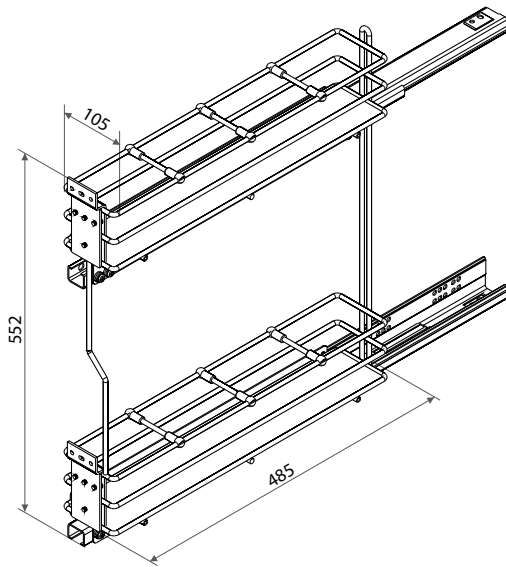
Basket finish: stainless steel, chrome plated

| Item No. | Dimension (HxWxD) | Baskets | Cabinet width | Loading capacity |
|----------|-------------------------|-------------------|---------------|------------------|
| AA220 | 1,225 ~ 1,570x414x510mm | Ax5 pcs & Bx5 pcs | 450mm | 40 kgs |
| AA280 | 1,765 ~ 2,110x414x510mm | Ax6 pcs & Bx6 pcs | 450mm | 50 kgs |

14-1 Corner Storage

FC215-CS Space Genie

- * With 450mm L. soft-closing concealed slide
- * Loading capacity: 20 kgs
- * Material: stainless steel, satin finish plated



Space Genie

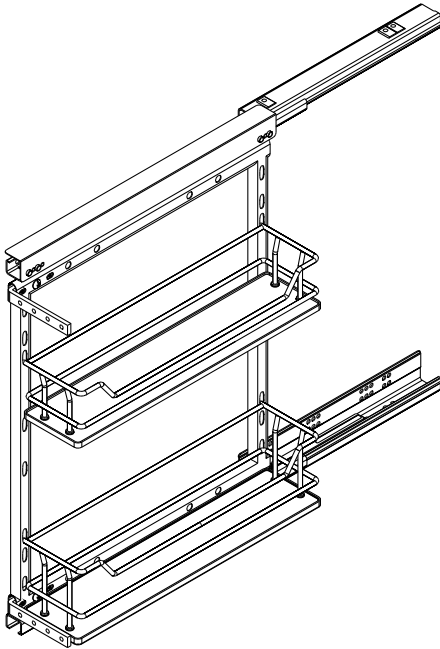


| Item No. | Dimension (HxWxD) | Cabinet width |
|----------|-------------------|---------------|
| FC215-CS | 552x105x485mm | 150mm |

14-1 Corner Storage

FA220-CP Side Mount Kit

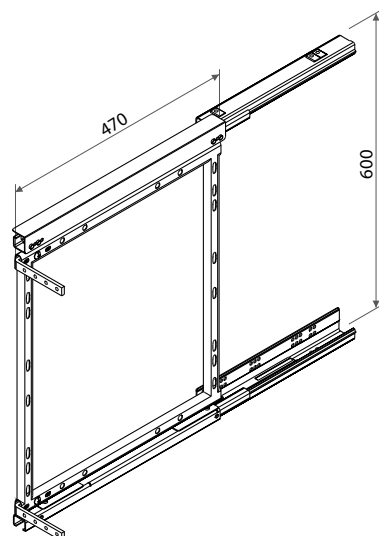
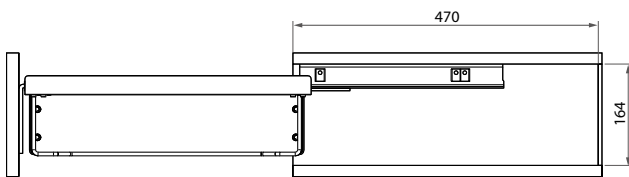
- * Pull-out with 450mm L. soft-closing concealed slide
- * Loading capacity: 20 kgs
- * Basket: stainless steel, satin finish plated
- * Frame: steel, gray epoxy



Basket A



Basket B

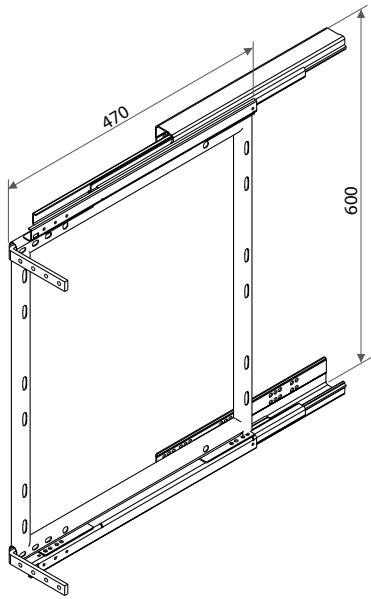


| Item No. | Dimension (HxWxD) | Baskets | Cabinet width |
|----------|-------------------|-----------------|---------------|
| FA220-CP | 600x164x470mm | Ax1 pc & Bx1 pc | 200mm |

14-1 Corner Storage

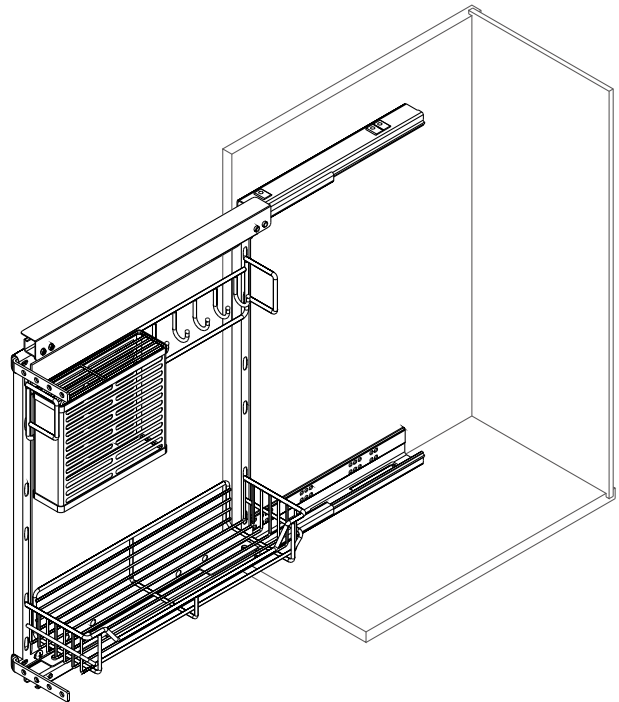
FA220-CD Side Mount Kit

- * Pull-out with 450mm L. soft-closing concealed slide
- * Loading capacity: 25 kgs
- * Basket: stainless steel, chrome plated
- * Frame: steel, gray epoxy



14

Kitchen & Bathroom

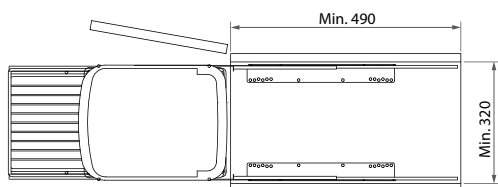
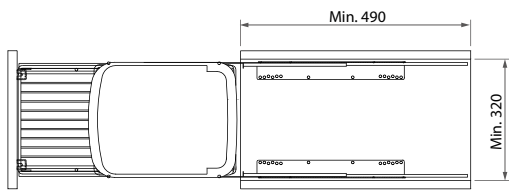
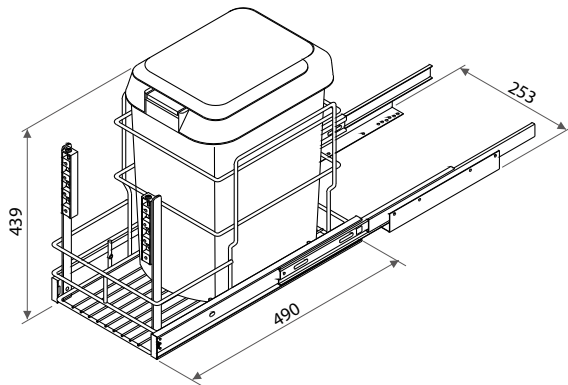


| Item No. | Dimension (HxWxD) | Component | Cabinet width |
|----------|-------------------|----------------|---------------|
| FA220-CD | 600x164x470mm | 1 basket | 150mm |
| | | + 1 knife rack | |
| | | + 1 hook rack | |
| | | | |

14-2 Pull-out Storage & Waste Bins

FJ132-C Pull-Out Waste Bin

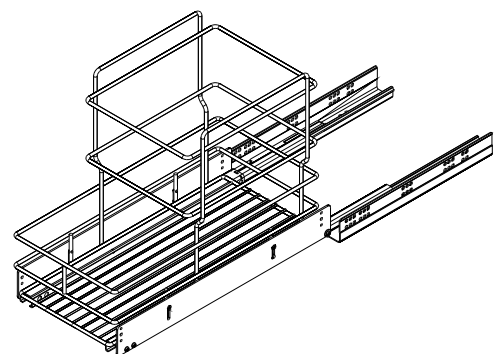
- * With 450mm L. soft-closing concealed slide
- * Loading capacity: 25 kgs
- * Plastic waste bin with cover in gray or blue color
- * Wire basket: steel, chrome plated



Waste Bin



Basket

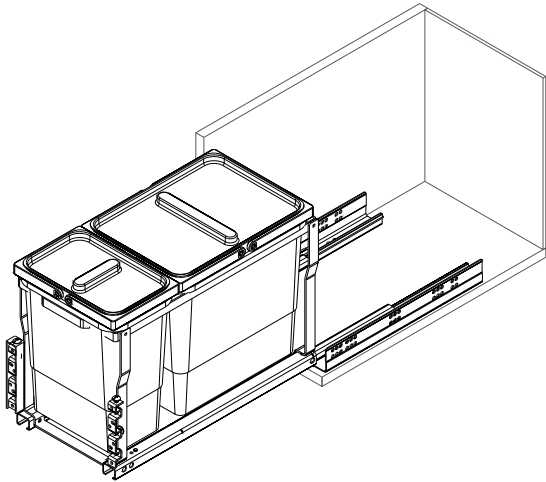


| Item No. | Dimension (HxWxD) | Cabinet width |
|----------|-------------------|---------------|
| FJ132-C | 450x253x500mm | 300mm |

14-2 Pull-out Storage & Waste Bins

Slow Motion Pull-Out 300 Waste Bins

- * With soft-closing concealed slide
- * Loading capacity: 20 kgs
- * Frame: steel, champagne plated
- * Plastic bin in gray color, plastic cover in white, blue, yellow or green color



S type (small) Plastic Bin

- * Dimension (HxWxD): 310x150x225mm



L type (large) Plastic Bin

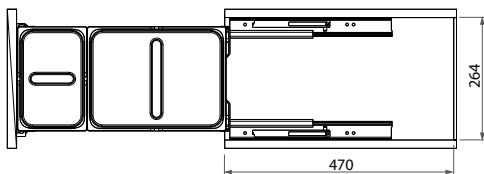
- * Dimension (HxWxD): 310x225x300mm



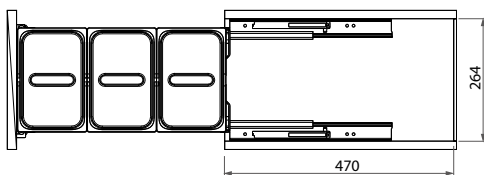
Frame, with concealed slide



FJ230-C



FJ231-C

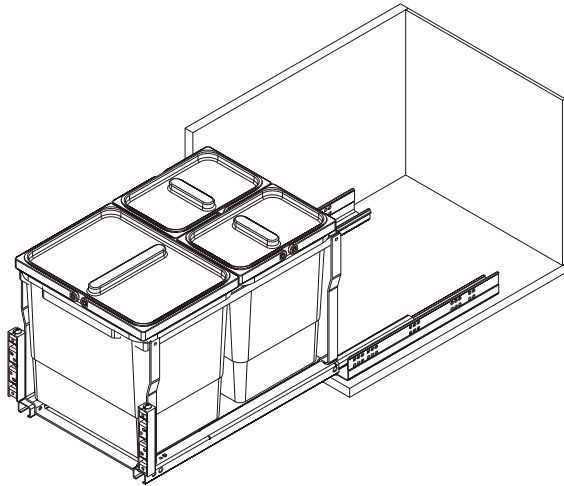


| Item No. | Dimension (HxWxD) | Bins | Cabinet width |
|----------|-------------------|------------------|---------------|
| FJ230-C | 320x264x470mm | S x1 pc & Lx1 pc | 300mm |
| FJ231-C | 320x264x470mm | S x3 pcs | 300mm |

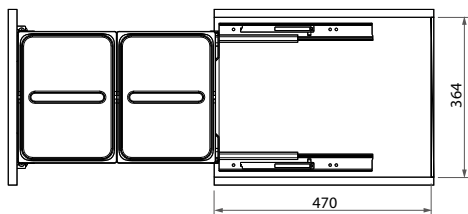
14-2 Pull-out Storage & Waste Bins

Slow Motion Pull-Out 400 Waste Bins

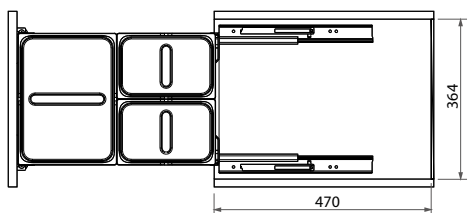
- * With soft-closing concealed slide
- * Loading capacity: 20 kgs
- * Frame: steel, champagne plated
- * Plastic bin in gray color, plastic cover in white, blue, yellow or green color



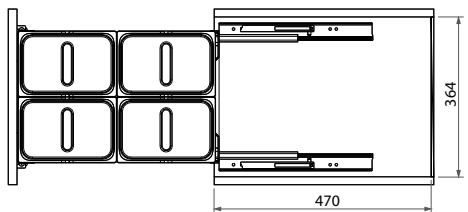
FJ240-C



FJ241-C



FJ242-C



| Item No. | Dimension (HxWxD) | Bins | Cabinet width |
|----------|-------------------|-------------------|---------------|
| FJ240-C | 320x364x470mm | Lx2 pcs | 400mm |
| FJ241-C | 320x364x470mm | S x2 pcs & Lx1 pc | 400mm |
| FJ242-C | 320x364x470mm | S x4 pcs | 400mm |

S type (small) Plastic Bin

* Dimension (HxWxD): 310x150x225mm



L type (large) Plastic Bin

* Dimension (HxWxD): 310x225x300mm



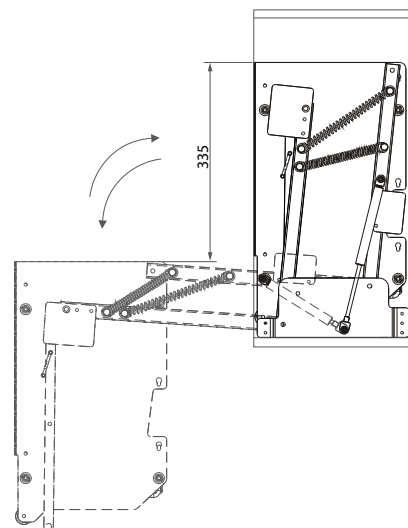
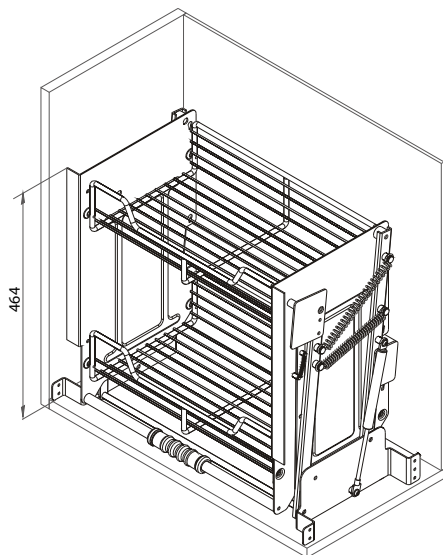
Frame, with concealed slide



14-3 Kitchen Fittings & Accessories

Gas Lift Storage Kit

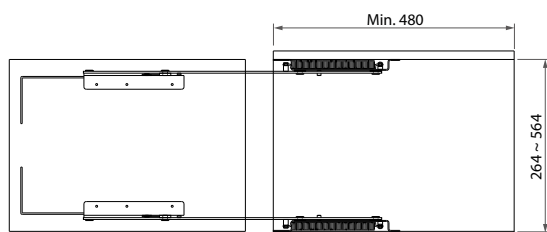
- * Side frame: steel, gray epoxy
- * Plate: stainless steel, chrome plated



| Item No. | Dimension (HxWxD) | Loading capacity | Cabinet width |
|----------|-------------------|------------------|---------------|
| WD160 | 464x564x280mm | max. 8 kgs | 600mm |
| WD180 | 464x764x280mm | max. 10 kgs | 800mm |
| WD190 | 464x864x280mm | max. 12 kgs | 900mm |

FD100 Pull-Out Table Fitting

- * Loading capacity: 15 kgs
- * Material: steel, chrome plated



Lid Stay

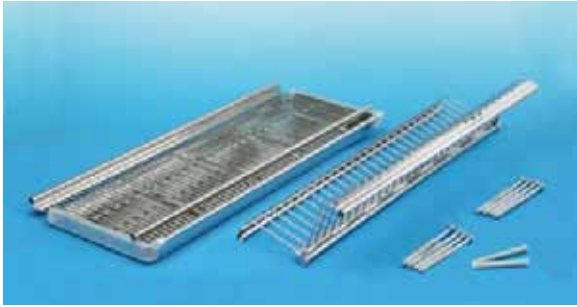


| Item No. | Dimension (HxWxD) | Cabinet width |
|----------|---------------------|---------------|
| FD100 | 550x264 ~ 564x480mm | 300 ~ 600mm |

14-3 Kitchen Fittings & Accessories

Cabinet Storage Shelving

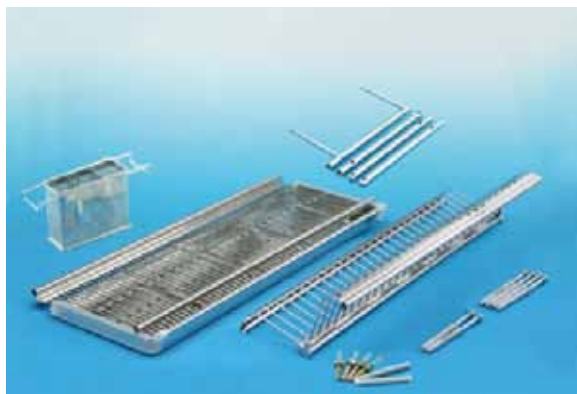
- * Material: stainless steel, chrome plated
- * Loading capacity: 8 kgs per shelf



| Item No. | Dimension (W) | Cabinet width |
|----------|---------------|---------------|
| WB260 | 520 ~ 610mm | 600mm |
| WB280 | 720 ~ 810mm | 800mm |
| WB290 | 820 ~ 910mm | 900mm |
| WB210 | 920 ~ 1,010mm | 1,000mm |

Wall-Mounted Storage Shelving

- * Material: stainless steel, chrome plated
- * Loading capacity: 8 kgs per shelf

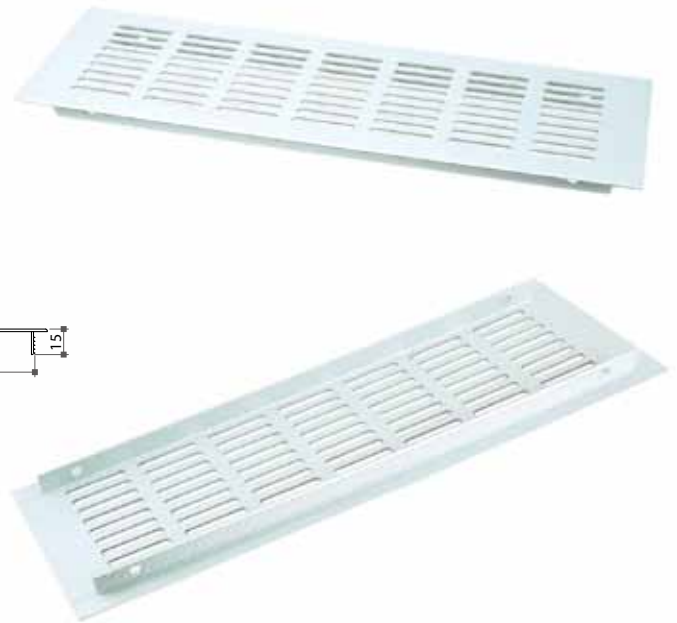
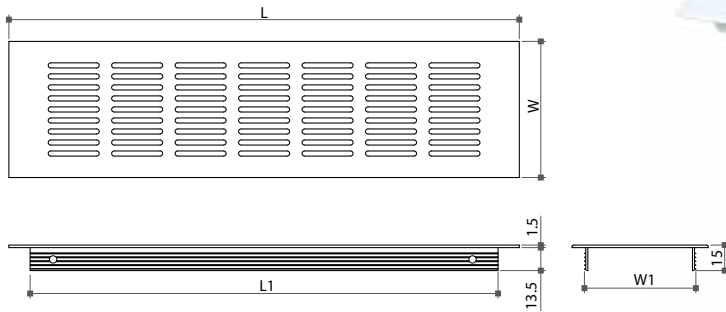


| Item No. | Dimension (W) |
|----------|---------------|
| WB260-B | Min. 600mm |
| WB280-B | Min. 800mm |
| WB290-B | Min. 900mm |
| WB210-B | Min. 1,000mm |

14-3 Kitchen Fittings & Accessories

Aluminium Multi-Function Vent

- * Aluminium, matt or bright silver anodized
- * Overall width: 80mm



| Item No. | Overall size (LxW) | Cutting size (L1xW1) |
|----------|--------------------|----------------------|
| 90815 | 150x80mm | 125x65mm |
| 90830 | 300x80mm | 275x65mm |
| 90845 | 450x80mm | 425x65mm |

90910 Kitchen Bench Top Bin

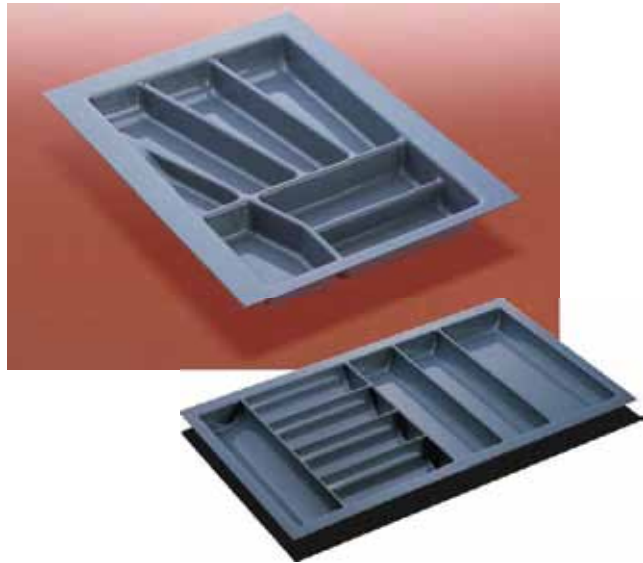
- * Stainless steel bucket and lid
- * Aluminium dustpan, zinc plated
- * Approx. 10 litre capacity
- * Cut out diameter: Ø230mm
- * Bucket depth: 255mm
- * Overall diameter: Ø254mm



14-3 Kitchen Fittings & Accessories

Flatware Storage

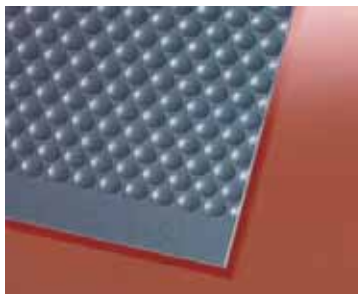
* Material: HIPS



| Item No. | Dimension (HxWxD) |
|----------|-------------------|
| LG300 | 490x260x47mm |
| LG400 | 490x360x47mm |
| LG450 | 490x390x47mm |
| LG500 | 490x440x47mm |
| LG600 | 490x540x50mm |
| LG800 | 490x740x50mm |
| LG900 | 490x840x50mm |
| LG100 | 490x940x50mm |

Corrugated Pads

* Material: HIPS



| Item No. | Dimension (WxLxT) |
|----------|-------------------|
| D877 | 580x2,000x2mm |

Soft PVC Pads

* Material: PVC



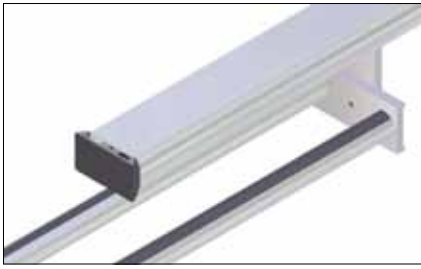
| Item No. | Dimension (LxWxT) |
|----------|-------------------|
| D899 | 20,000x500x1mm |

14-4 Towel Rails

Album Towel Holders

- * Pull-out frame with 3 nylon rollers, top or side mount

Top mount

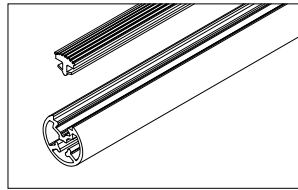


Side mount



Innovative

- * Aluminium towel bar topped with soft-touch silicon extrusion in black, anti-slippery



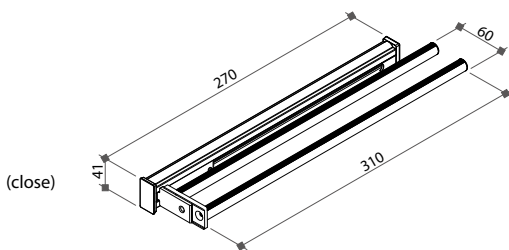
- * Pull-out frame and towel bars all in aluminium, matt silver and shiny silver anodized, with plastic end caps in black
- * Three frame lengths: 270mm, 410mm and 480mm
- * Applicable to bathroom and build-in kitchen cabinet

14

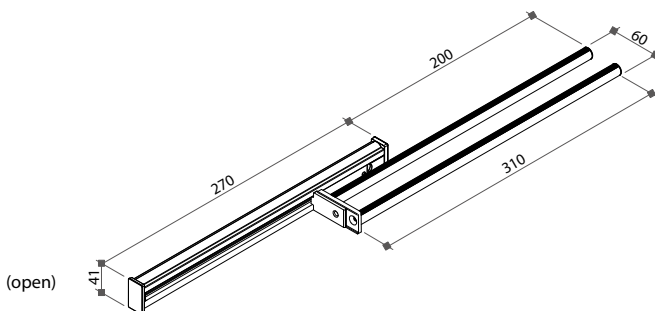
Kitchen & Bathroom

ATH27-31-2 Album Towel Holder

- * 270mm frame with 2 pc of 310mm towel bar



(close)

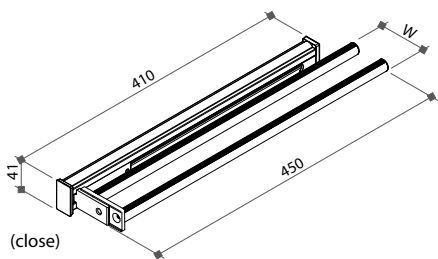


(open)

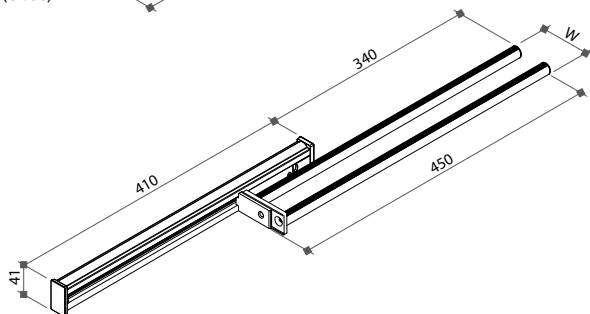
14-4 Towel Rails

ATH41-45 Album Towel Holder

* 410mm frame with 450mm towel bar



(close)



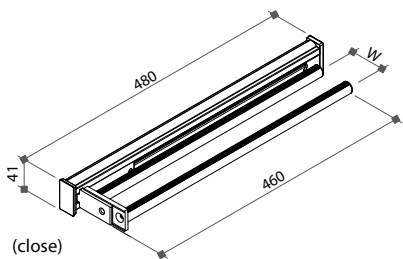
(open)



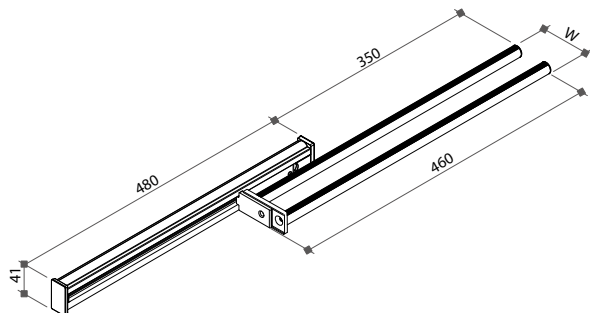
| Item No. | Version | W |
|------------|--------------|-------|
| ATH41-45-1 | 1 towel bar | 30mm |
| ATH41-45-2 | 2 towel bars | 60mm |
| ATH41-45-3 | 3 towel bars | 105mm |
| ATH41-45-4 | 4 towel bars | 150mm |

ATH48-46 Album Towel Holder

* 480mm frame with 460mm towel bar



(close)



(open)



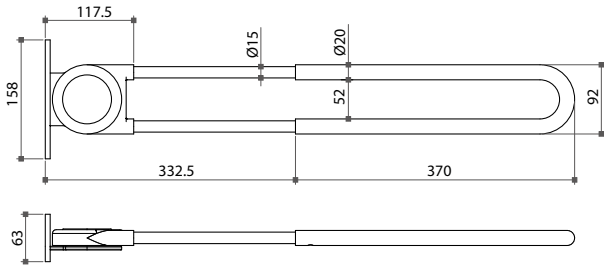
| Item No. | Version | W |
|------------|--------------|-------|
| ATH48-46-1 | 1 towel bar | 30mm |
| ATH48-46-2 | 2 towel bars | 60mm |
| ATH48-46-3 | 3 towel bars | 105mm |
| ATH48-46-4 | 4 towel bars | 150mm |

14-4 Towel Rails

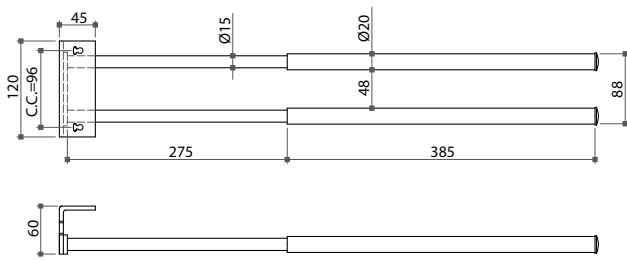
Album Extendable Towel Rail

- * Extendable aluminium rail length from 380 ~ 670mm
- * Finish: matt silver (NA) and shiny silver anodized

AET67-WMS Wall mount, 180° swivel

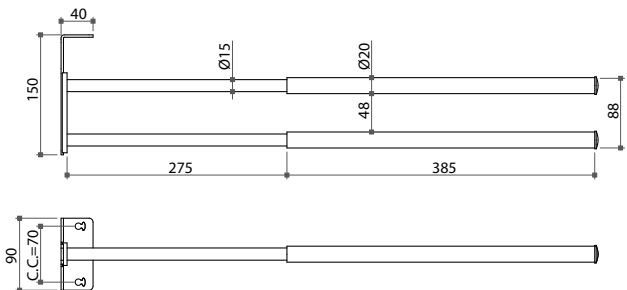


AET67-TMN Top mount, non-swivel



AET67-SMN Side mount, non-swivel

- * Right or left hand (interchangeable with one fixing screw)



| Item No. | Description |
|-----------|---------------------------|
| AET67-WMS | Wall mounted, 180° swivel |
| AET67-TMN | Top mounted, non-swivel |
| AET67-SMN | Side mounted, non-swivel |