



16-1 Monitor Arms
P. 310-313

16-2 CPU Holders
P. 314

16-3 Keyboard Trays
P. 315-317

16-4 Cable Organizers
P. 318-325

16-5 Media Storage
P. 326-334

16-6 TV Brackets
P. 335-336

16-7 TV Lifts
P. 337-339

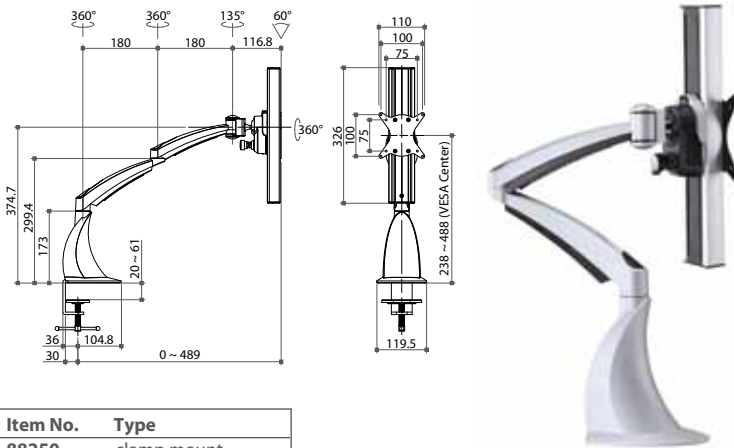
16-1 Monitor Arms

LA-Ergo LCD Monitor Arm

- * Desktop type, grommet mount (Ø8mm drillhole) or clamp mount
- * Single or double monitor arms with quick release design, with 75/100mm VESA bracket
- * Duple arm
- * 250mm vertical height adjustment
- * With 360° rotation and 60° tilt movements



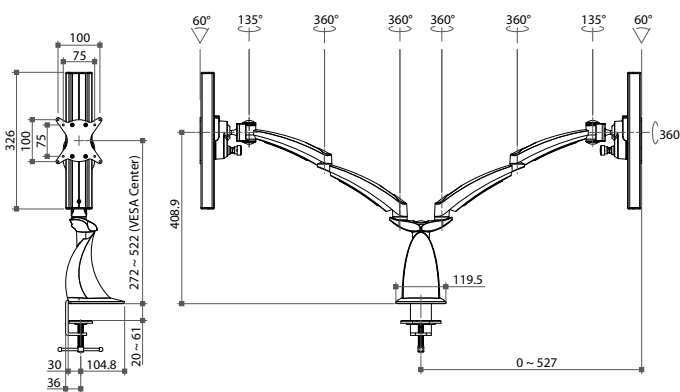
Single Monitor Arm



Key release function selectable

| Item No. | Type |
|----------|---------------|
| 88250 | clamp mount |
| 88251 | grommet mount |

Double Monitor Arms



| Item No. | Type |
|----------|---------------|
| 88260 | clamp mount |
| 88261 | grommet mount |



1 ~ 2 Cable management

3 Lock button



4 Quick release button

5 Grommet mount

6 Clamp mount

16-1 Monitor Arms

Butterfly LCD Monitor Arm

- * Duple arm, desktop type, grommet mount or clamp mount
- * Single-monitor or multi-monitor models available
- * Ball joint with 360° rotation & $\pm 30^\circ$ tilt movement with 75/100mm VESA bracket
- * Post with ratchet for ideal position
- * Aluminium construction



■ Cable management



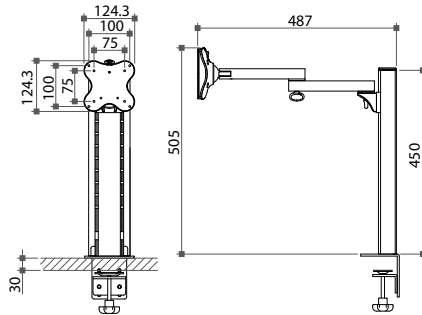
■ Quick release



■ Anti-theft kit



1-monitor model



| Item No. | Type |
|----------|---------------|
| 88270 | clamp mount |
| 88271 | grommet mount |



89271

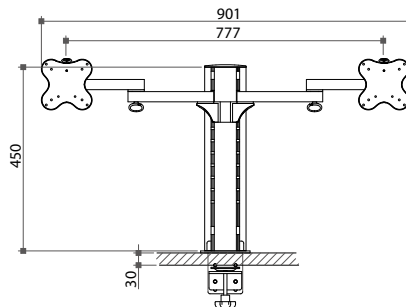
Grommet mount



Clamp mount



2-monitors model

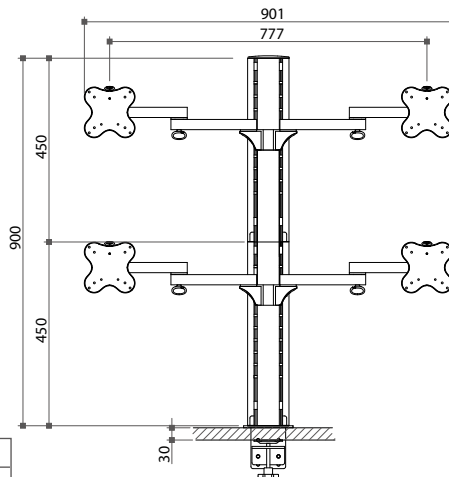


| Item No. | Type |
|----------|---------------|
| 88280 | clamp mount |
| 88281 | grommet mount |

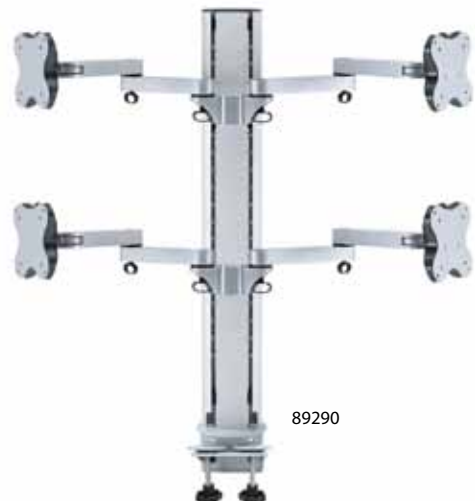


89280

4-monitors model



| Item No. | Type |
|----------|---------------|
| 88290 | clamp mount |
| 88291 | grommet mount |



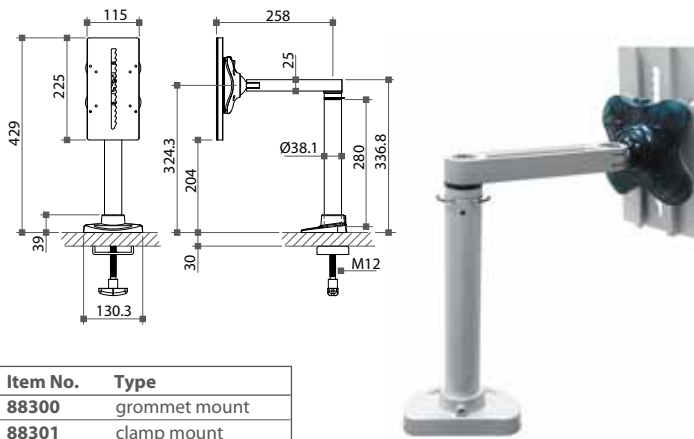
89290

16-1 Monitor Arms

Easyfly LCD Monitor Arm

- * Desktop type, grommet mount (Ø8mm drillhole) or clamp mount
- * Single or double monitor arms, aluminium die casting, 12 kgs loading
- * Ball joint with 360° rotation & 30° tilt movements, with 75/100mm VESA bracket
- * Manual height adjustment: 150mm
- * Simple arm movement

1-monitor model



| Item No. | Type |
|----------|---------------|
| 88300 | grommet mount |
| 88301 | clamp mount |



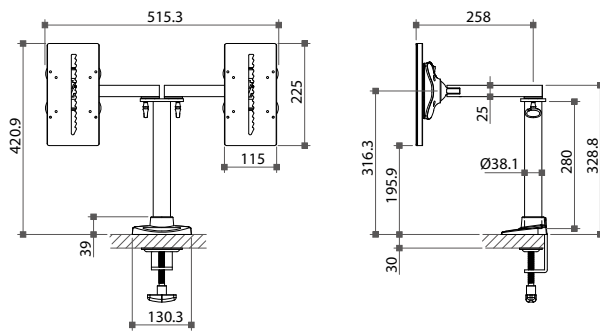
Grommet mount



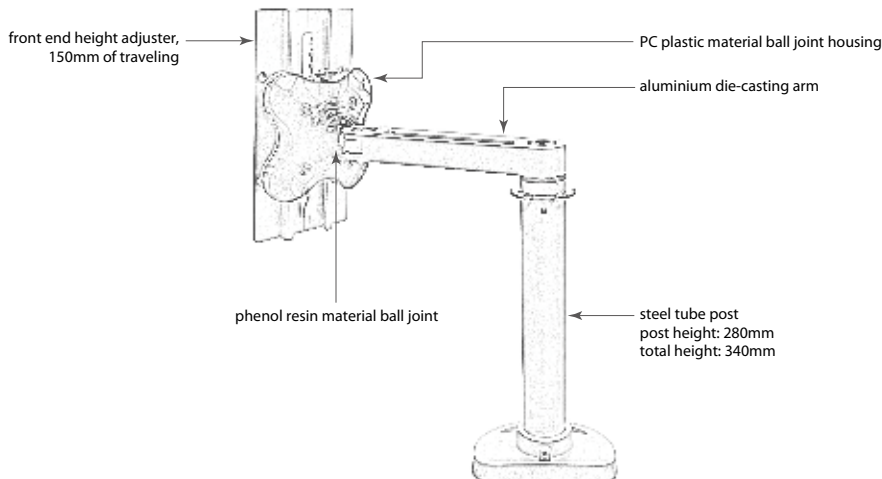
Clamp mount



2-monitors model



| Item No. | Type |
|----------|---------------|
| 88310 | grommet mount |
| 88311 | clamp mount |



■ Cable management



■ Height adjustment



■ Quick release



■ Anti-theft kit

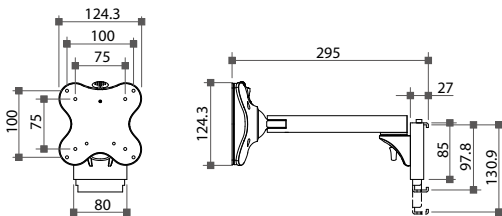
16-1 Monitor Arms

Easyfly LCD Monitor Arm

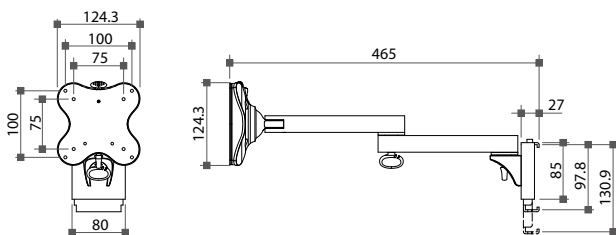
- * Wall mounting type
- * Single or duple monitor arm, aluminium die casting, 12 kgs loading
- * Ball joint with 360° rotation & 30° tilt movements, with 75/100mm VESA bracket
- * With quick release mechanism
- * Anti-theft kit available upon request



88320 Simple monitor arm



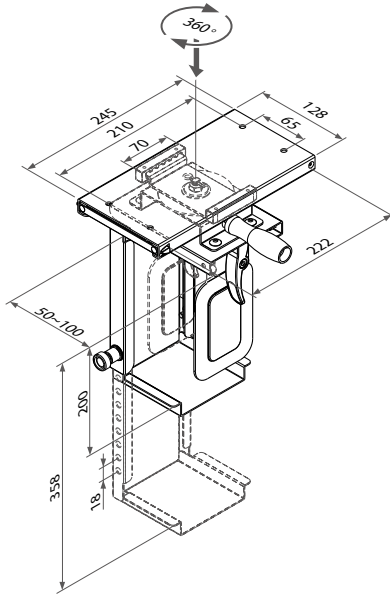
88321 Duple monitor arm



16-2 CPU Holders

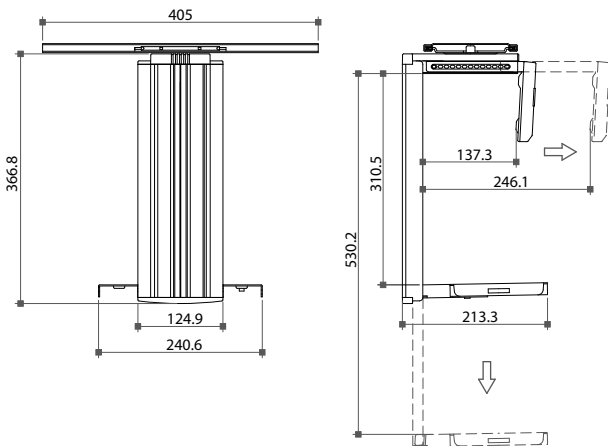
89310 Compact CPU Holder

- * To be mounted under desk top
- * To hold CPU vertically, with height adjustment from 200 ~ 358mm and width from 50 ~ 100mm
- * With one handle lever to slide the holder forward/backward, and turn CPU to an ideal position
- * Metal, black or silver gray coated



89311 Deluxe CPU Holder

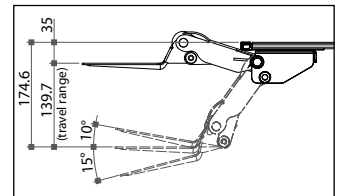
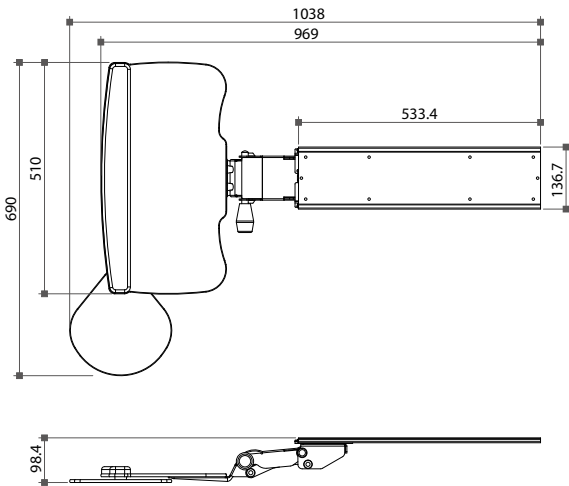
- * Steel construction in silver gray coating
- * 400mm (16") track length for forward/backward sliding
- * 360° rotation for under-table space arrangement
- * Rotation wide range of adjustment to fit various sizes of CPU: Height adjustment from 300 ~ 525mm (11.8" ~ 20") Width adjustment form 135 ~ 245mm (5.3" ~ 9.6")
- * Loading capacity: 25 kgs (55 lbs)
- * Anti-theft kit available upon request



16-3 Keyboard Trays

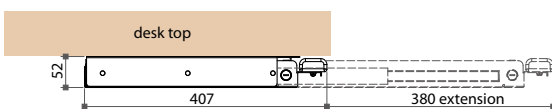
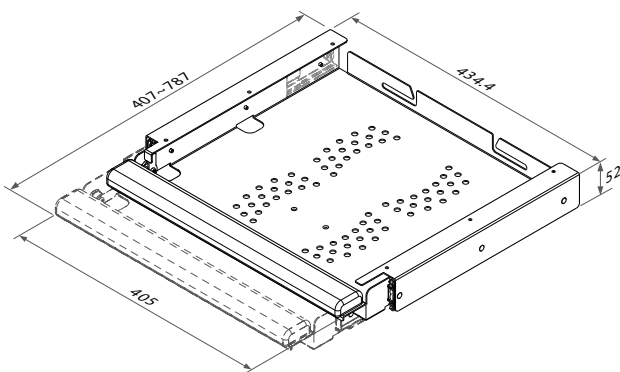
89930 Keyboard Arm and Tray

- * With keyboard tray and mouse pad
- * Easy height adjustment of 146mm by finger, and $\pm 15^\circ$ tilt by handle lever
- * Rotation 360°
- * To be mounted under worktable (desk top), meets ANSI/BIFMA x 5.5 standard



89401 Notebook Drawer

- * To be mounted under desk top
- * With full extension ball bearing slide and a cam lock to secure notebook



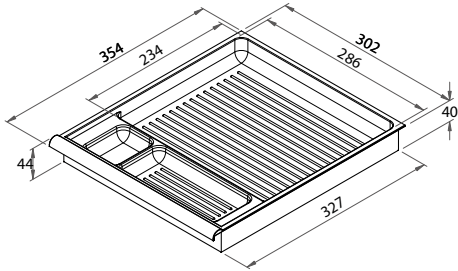
16-3 Keyboard Trays

Pencil Drawer

- * Space divided for stationery and paper organization
- * Slim design provides user a convenient working environment
- * Color: black, silver gray

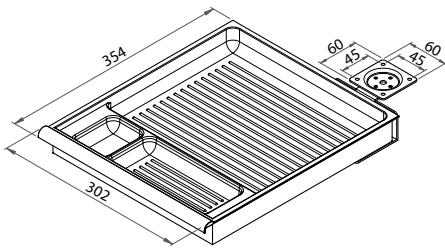
89380 Pencil Tray

- * To be placed on filing system for immediate use



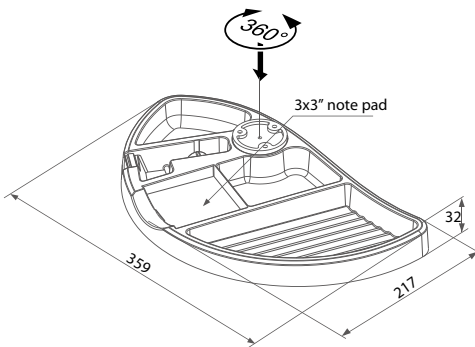
89385 Rotary Pencil Tray

- * With swivel plate



89308 Rotary Pencil Drawer

- * To be mounted under desk top
- * Rotation 360°, smooth pull-out and push-in
- * To store and organize pens, rubber bands, notepaper and clips, etc.
- * Color: black, white



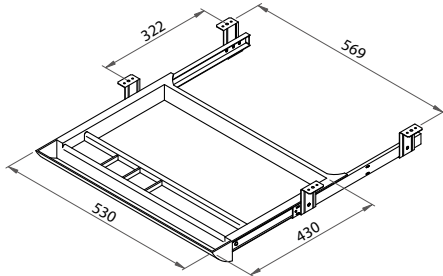
16-3 Keyboard Trays

Pencil Drawer with Ball Bearing Slides

- * With space divided for stationery and paper organization
- * Smooth and silent ball bearing slides and easy-to-assemble L-brackets
- * Color: black, gray

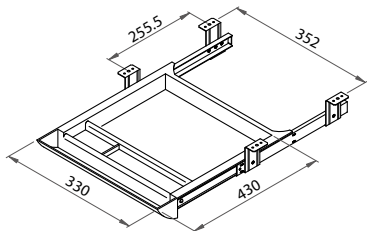
89300

- * Drawer size: 530x430mm



89305

- * Drawer size: 330x430mm

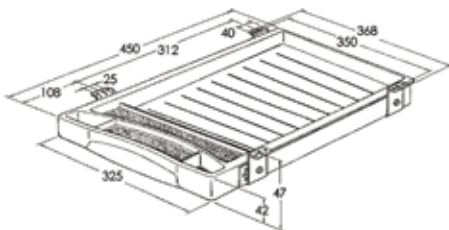


Compact Pencil Drawer Series

- * With smooth ball bearing slides
- * Color: black, gray

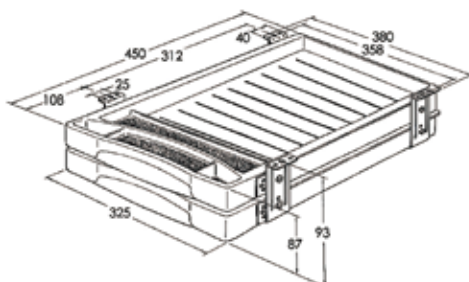
89391

- * Single tray



89392

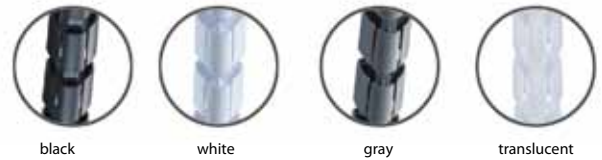
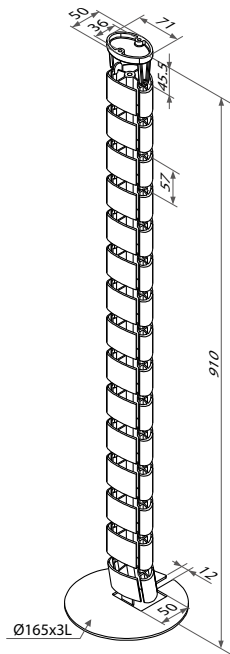
- * Dual tray



16-4 Cable Organizers

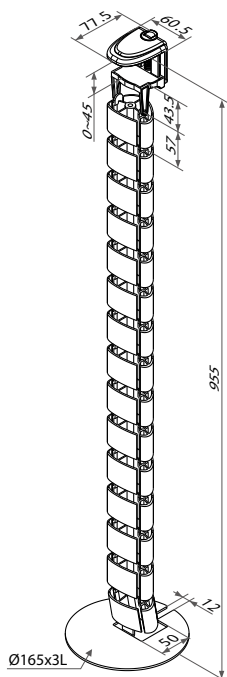
89920 Vertical Cable Duct, screw mount type

- * To conduct cables to the ground
- * Screw fixing underneath desktop
- * Regular length 890mm, can be adjusted by removing or adding duct segments
- * Color: black, white, gray or translucent



89921 Vertical Cable Duct, clamp mount type

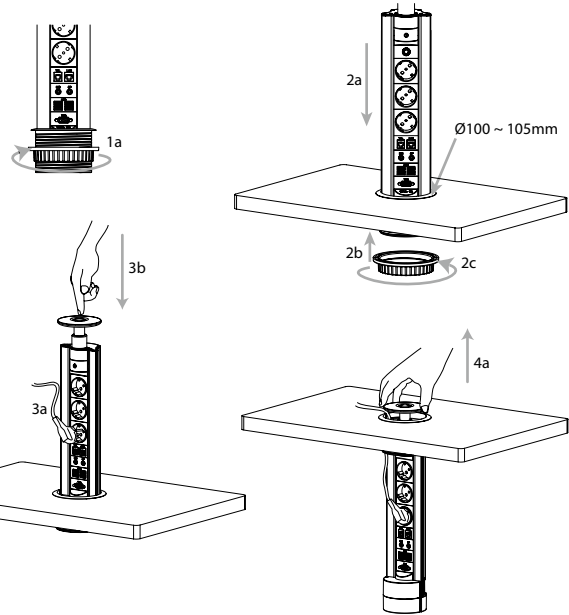
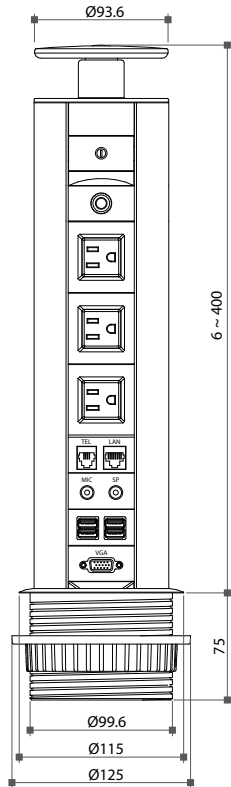
- * To conduct cables to the ground
- * Clamp on desk top, max. 40mm thick
- * Regular length 890mm, can be adjusted by removing or adding duct segments
- * Color: black, white, gray or translucent



16-4 Cable Organizers

89622 Vertical E-Bar Power Station

- * Consists of three sockets, TEL / LAN and 2 USB, 1 VGA, 1 MIC / SP, 1 miniature circuit breaker, and on/off switch
- * Aluminium (matt silver) and plastic (black) combination
- * Mounting into $\text{Ø}100 \sim 105\text{mm}$ drillhole
- * Push the top cap, and pull up projected E-bar for use



16-4 Cable Organizers

E-bar Power Management

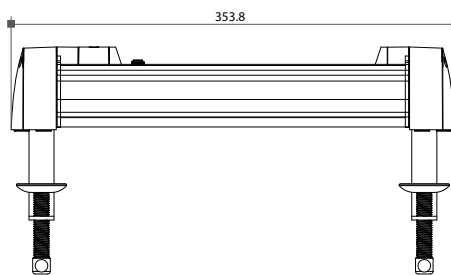
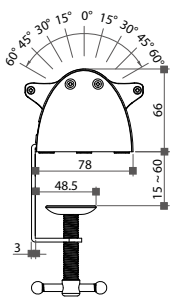
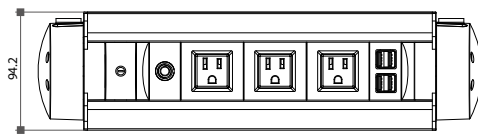
- * Flexible to meet different requirements of power supply
- * Various sockets for option:
AC 100V & 240V (for U.S. , U.K. ,CE...etc), TEL / LAN, USB and VGA
- * Other details are as below:



| | |
|--|--|
| | SWITCH: ON/OFF switch illuminated with two red dots |
| | SOCKET: AC 240V/50HZ, 5A 1200W |
| | TEL / LAN: Computer connection interface for 4-pin telephone / 8-pin line |
| | USB: Connection of standard commercial four USB-appliances |
| | MIC: Computer connection interface for 3.5 £X speaker / microphone |
| | VGA: Computer connection VGA 15-pin HDD jack monitor |
| | Miniature circuit breaker |
| | LAN: RJ45 x2 |

89625 Horizontal E-Bar Power Station

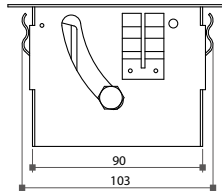
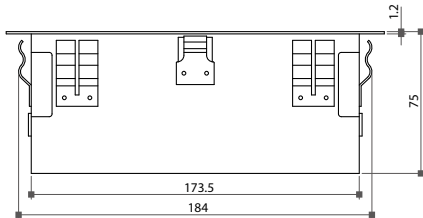
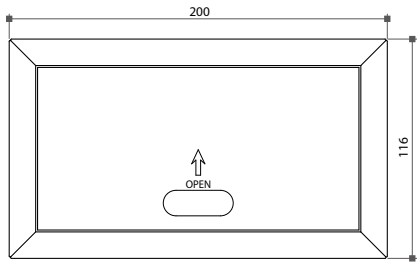
- * Consists of three sockets, TEL / LAN and on/off switch
- * Material: aluminium case (matt silver) and plastic (black)
- * Mounting on desk top



16-4 Cable Organizers

88606 Multi Receptacle Extension Box

- * Consists of 2 grounded outlets, 1 reset switch, 2 universal LAN jacks and 10' power cord
- * Rectangular box, outer dimensions: 200x116x75mm
- * Mounting hole : 179x98mm
- * Press to open or close
- * Installed on desk & conference / meeting table, ideal for any work station in office or hotel



(Open)

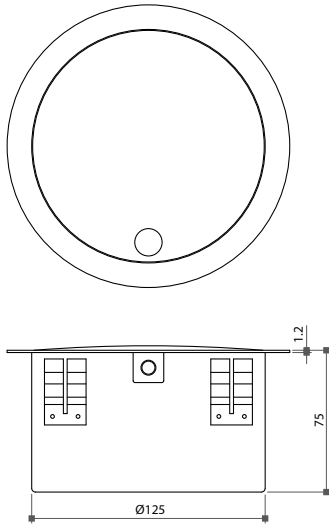


(Close)

16-4 Cable Organizers

88600 Round Power Station

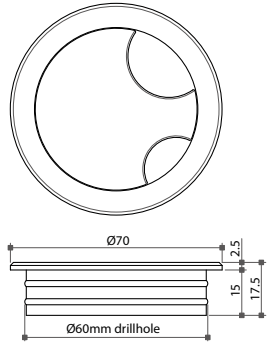
- * Consists of 2 grounded outlets, 1 reset switch, 2 universal lan jacks and 10' power cord
- * Installed on desk & table, ideal for any work station in office or hotel
- * Mounting hole: $\text{\O}129\text{mm}$
- * Press to open or close
- * Color: black



16-4 Cable Organizers

58860 Aluminium Grommet, Round Type

- * Round cover with two cable holes, tangle-free
- * For Ø60mm drillhole
- * Material: solid aluminium
- * Finish: matt silver (NA), polished chrome (PC) & brushed stainless steel look (ABN)

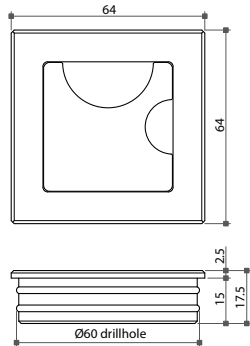


| Item No. | Drillhole |
|----------|-----------|
| 58860 | Ø60mm |



58866 Aluminium Grommet, Square Type

- * Square cover with two cable holes, tangle-free
- * For Ø60mm drillhole
- * Material: solid aluminium
- * Finish: matt silver (NA), polished chrome (PC) & brushed stainless steel look (ABN)

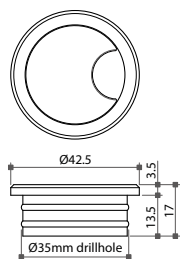


| Item No. | Drillhole |
|----------|-----------|
| 58866 | Ø60mm |



58835 Aluminium Wire Grommet, Round Type

- * Small hole for telephone and lighting wires
- * For Ø35mm drillhole
- * Material: solid aluminium
- * Finish: matt silver (NA), polished chrome (PC) & brushed stainless steel look (ABN)



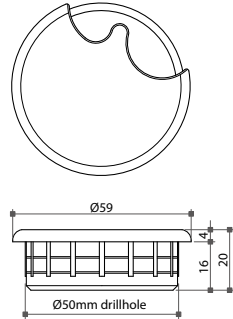
| Item No. | Drillhole |
|----------|-----------|
| 58835 | Ø35mm |



16-4 Cable Organizers

58850 Aluminium Cable Cover & Plastic Grommet

- * With black or white plastic grommet for Ø50mm drillhole
- * Wave-shape aluminium cable cover in matt silver (NA), poshied chrome (PC) & brushed stainless steel look (ABN)
- * Tangle-free



| Item No. | Drillhole |
|----------|-----------|
| 58850 | Ø50mm |

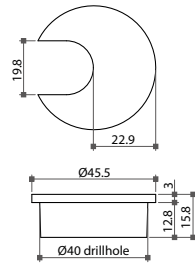


Metal Cable Cover

- * Material: zamak
- * Finish: polished chrome, satin chrome, brushed nickel and other finishes

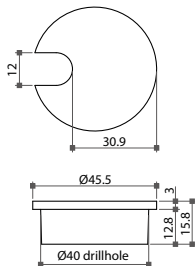
58710

- * For Ø40mm drillhole



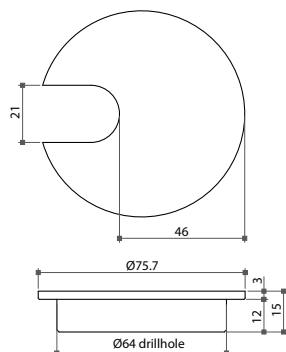
58730

- * For Ø40mm drillhole



58750

- * For Ø64mm drillhole



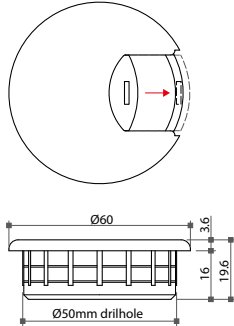
| Item No. | Drillhole |
|----------|-----------|
| 58710 | Ø40mm |
| 58730 | Ø40mm |
| 58750 | Ø64mm |



16-4 Cable Organizers

58779 Plastic Cable Cover

- * For Ø50mm drillhole
- * Material: plastic
- * Color: black, white, brown, gray & silver coated (SV)

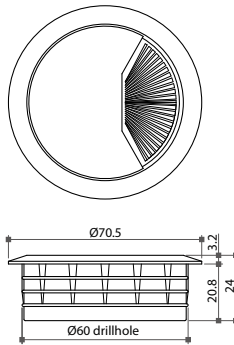


| Item No. | Drillhole |
|----------|-----------|
| 58779 | Ø50mm |



58773 Plastic Cable Cover

- * For Ø60mm drillhole
- * With spring loaded fan
- * Material: plastic
- * Color: black, white, brown, beige & gray

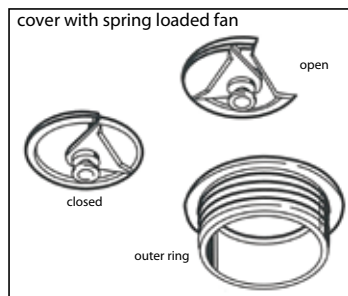


| Item No. | Drillhole |
|----------|-----------|
| 58773 | Ø60mm |

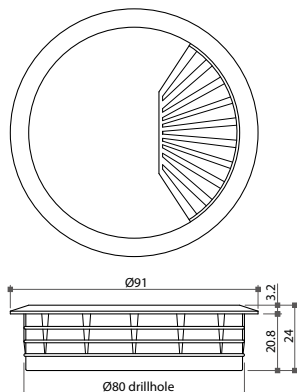


58778 Plastic Cable Cover

- * For Ø80mm drillhole
- * With spring loaded fan
- * Material: plastic
- * Color: black, white, brown, beige & gray



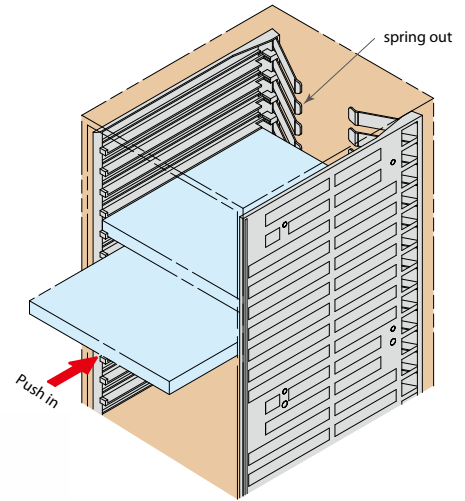
| Item No. | Drillhole |
|----------|-----------|
| 58778 | Ø80mm |



16-5 Media Storage

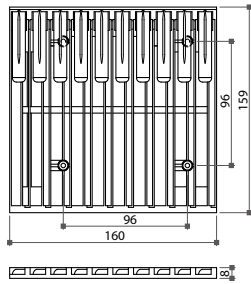
Spring-Out CD/DVD Holders

- * With plastic spring at the rear, to spring out CD/DVD upon finger-pushing
- * Side mounting with screws, horizontal storage
- * 2 pcs (pair) for use
- * Material: plastic
- * Color: black (BB) or silver gray (SY)



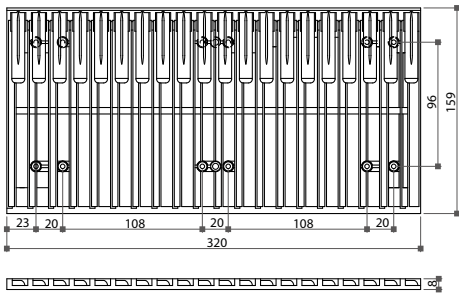
90215 Spring-Up 10 CD Holder

- * Holds 10 pcs of CD



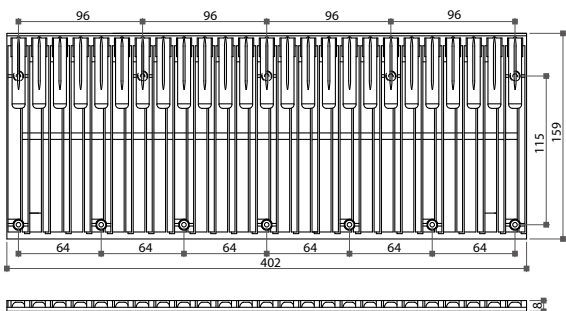
90217 Spring-Up 20 CD Holder

- * Holds 20 pcs of CD



90224 Spring-Up 25 CD Holder

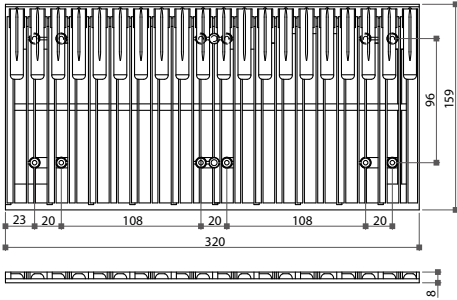
- * Holds 25 pcs of CD



16-5 Media Storage

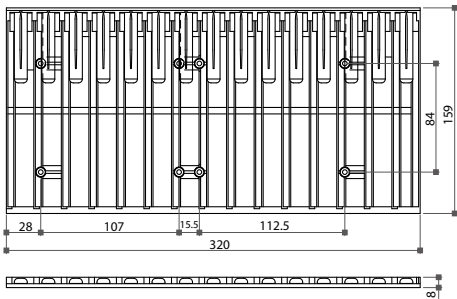
90220 Spring-Up 10 Double CD Holder

* Holds 10 pcs of double CD



90261 Spring-Up 15 DVD Holder

* Holds 15 pcs of DVD

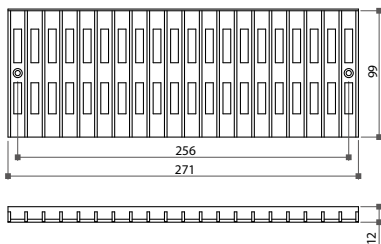


Side Mount CD/DVD Rack

- * Screw mounting, horizontal storage
- * 2 pcs (pair) for use
- * Material: plastic
- * Color: black (BB) or silver gray (SY)

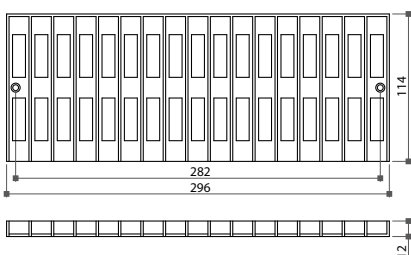
90216 Side Mount 20 CD Rack

* Holds 20 pcs of CD



90265 Side Mount 17 DVD Rack

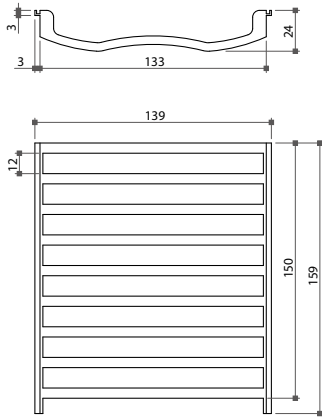
* Holds 17 pcs of DVD



16-5 Media Storage

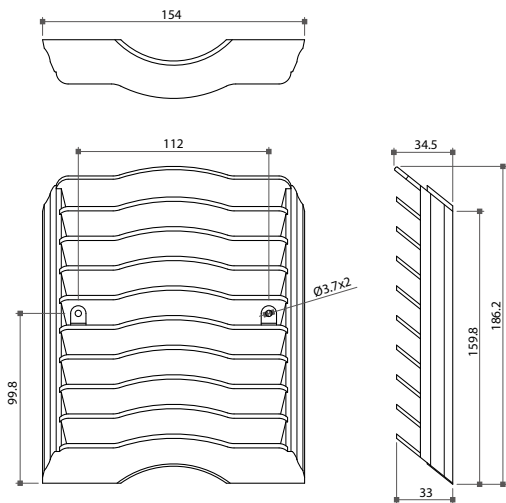
90223 Wave Type 9 CD Holder

- * Stores 9 pcs of CD
- * Need grooves of 3.2x3.2mm for mounting
- * Horizontal storage
- * Material: plastic
- * Color: black (BB) or silver gray (SY)



90245 Louvre Type CD/Disk Holder

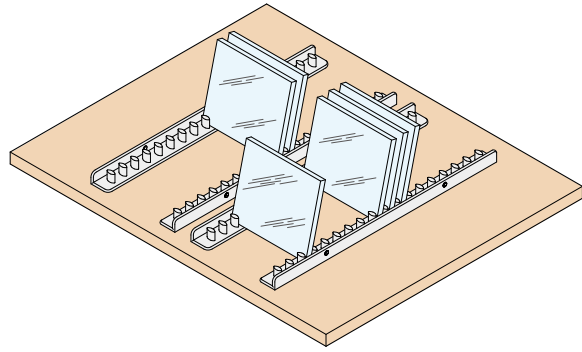
- * Stores 9 pcs of CD/disk
- * Wall mounting with two screws
- * Material: plastic
- * Color: black (BB) or silver gray (SY)



16-5 Media Storage

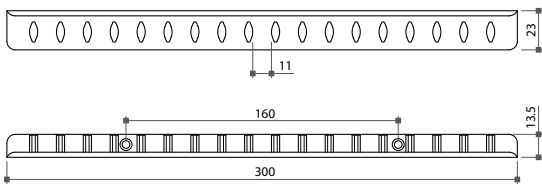
Audio / Video Storage Strip

- * Mounting with screws or self-adhesive foam tape
- * 2 pcs (pair) for use
- * Material: plastic
- * Color: black (BB) or silver gray (SY)



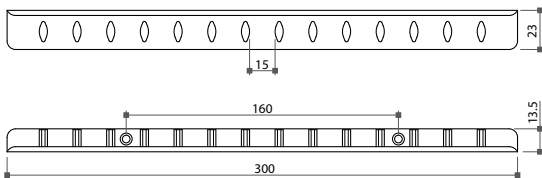
90212 17 CD Holder

- * Holds 17 pcs of CD



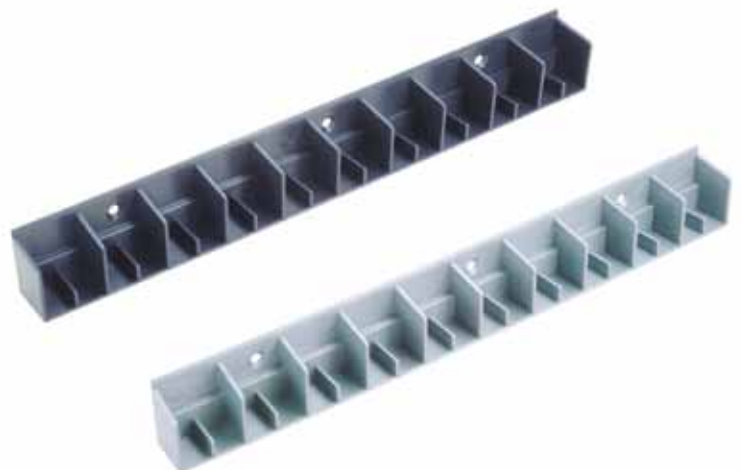
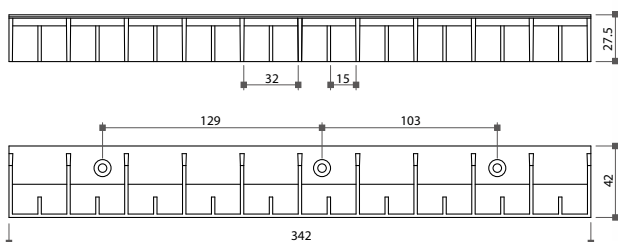
90262 13 DVD Holder

- * Holds 13 pcs of DVD



90258 CD/DVD/VHS Holder

- * Stores 20 pcs of CD/DVD or 10 pcs of video (VHS)
- * With 3 screw holes
- * 2 pcs (pair) for use
- * Material: plastic
- * Color: black (BB) or silver gray (SY)



16-5 Media Storage

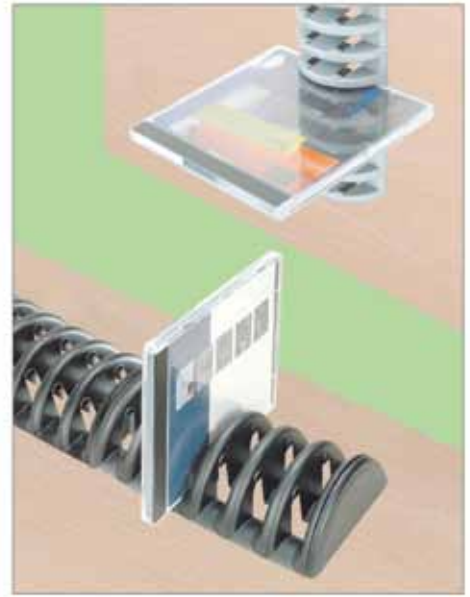
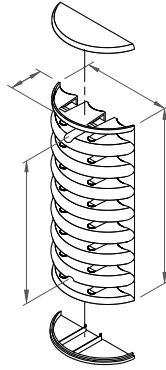
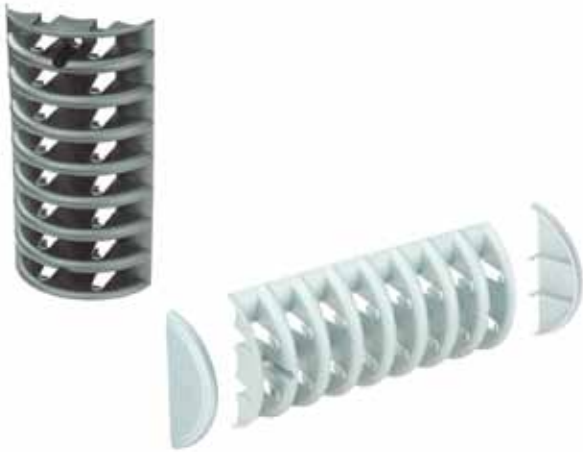
D Type CD/DVD Holders

- * Screw fixing wall mounting for vertical or horizontal storage, or flat-bottom mounting for vertical storage
- * Holders with smooth junctions and stackable
- * Optional end caps
- * Material: plastic
- * Color: black (BB) or silver gray (SY)

90226 D type 8 CD Holder

90226C End caps, 2 pcs/set

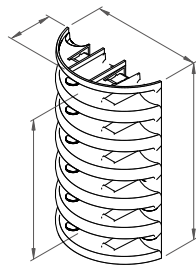
- * Stores 8 pcs of CD



90263 D type 6 DVD Holder

90263C End caps, 2 pcs/set

- * Stores 6 pcs of DVD



90228 D type 15 CD Holder

90228C End caps, 2 pcs/set

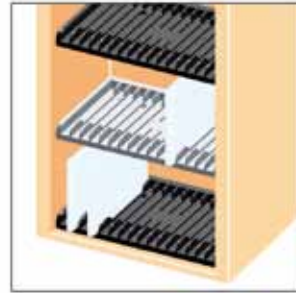
- * Stores 15 pcs of CD



16-5 Media Storage

CD / VHS Rack

- * Three installation types:
 - Side mount:** shelf supports attached, for Ø5mm drillholes
 - Bottom mount:** screw fixing
 - Wall mount:** with hanging brackets
- * Material: plastic
- * Color: black (BB) or silver gray (SY)



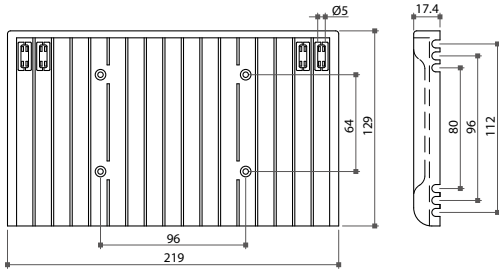
CD rack



VHS rack (with bracket)

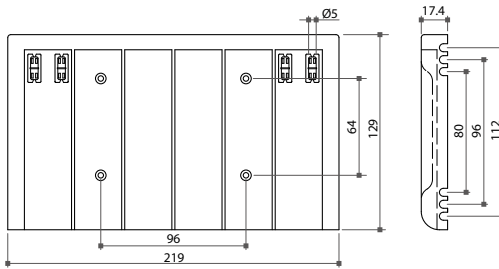
90222 17 CD Rack

- * Holds 17 pcs of CD



90253 6 VHS Rack

- * Holds 6 pcs of VHS tape

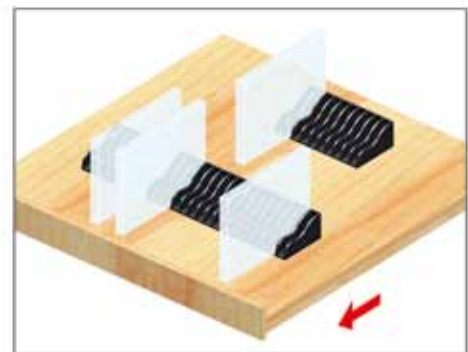
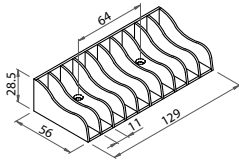


Bottom Mount CD Rack

- * Screw fixing
- * Vertical storage
- * Material: plastic
- * Color: black (BB) or silver gray (SY)

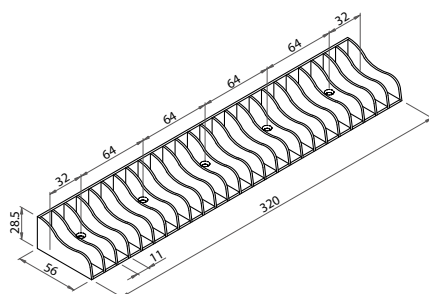
90240 10 CD Rack

- * Holds 10 pcs of CD



90241 25 CD Rack

- * Holds 25 pcs of CD



16-5 Media Storage

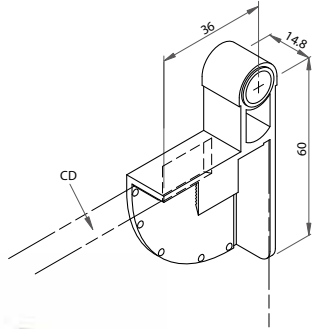
Swing Fan CD Holder

- * Each fan grips one CD box
- * Steel rod of three lengths to carry different number of fan (20, 30 or 40 CDs)
- * Three mounting types
- * Material: plastic in black (BB) or silver gray (SY)



90227 Fan

- * Holds 1 pc of CD



Steel Rod

- * Steel, chrome plated, Ø9.5mm

90227R-314 314mm long for 20 CDs

90227R-464 464mm long for 30 CDs

90227R-611 611mm long for 40 CDs



90227A1 Top/Bottom Mount Bracket

- * 2 pcs/set (upper/lower fixing)
- * Including 4 pcs of wood screw



90227B Side Mount Bracket

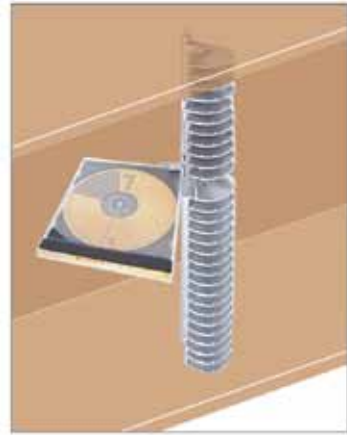
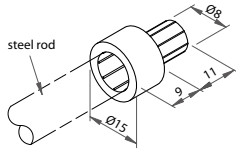
- * 2 pcs/set (upper/lower fixing)
- * Including 4 pcs of wood screw



16-5 Media Storage

90227A2 Top/Bottom Pivot Socket

- * For Ø8mm drillhole
- * 2 pcs/set



Illustrations of varied assembly

- * With different accessories, **90227 CD/DVD Holder** can expand specific features to attain various purposes



90227-40B (side mount)
 * Consists of 40 fans (90227), 1 rod (90227R-611) & 1 set of bracket (90227B)



90227-20A1 (top/bottom mount)
 * Consists of 20 fans (90227), 1 rod (90227R-314) & 1 set of bracket (90227A1)

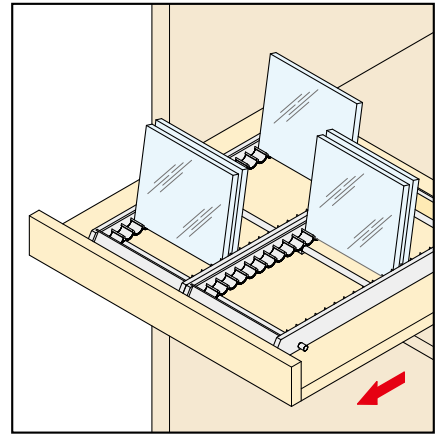


90227-30A2 (pivot mount)
 * Consists of 30 fans (90227), 1 rod (90227R-464) & 1 set of socket (90227A2)

16-5 Media Storage

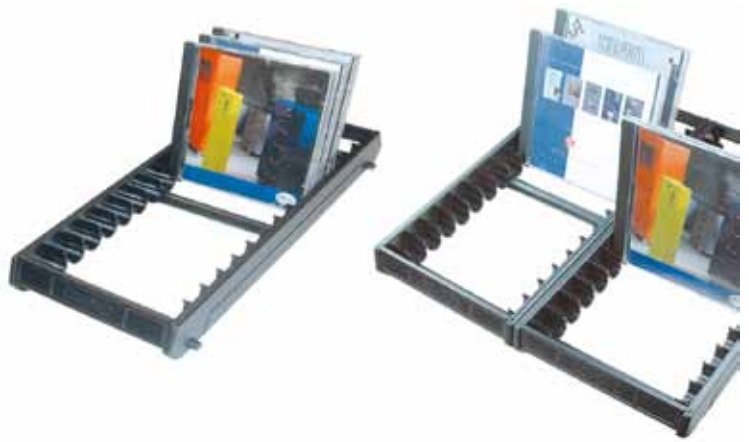
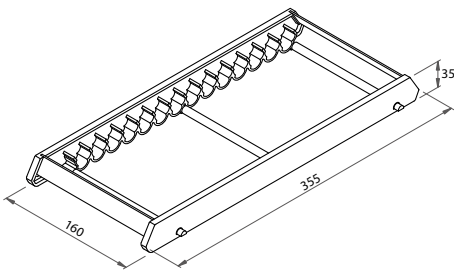
CD/DVD/Disk Organizer

- * Free stand on flat panels or in pull-out drawers
- * With dowels to connect additional organizer
- * K/D flat pack
- * Material: plastic in black



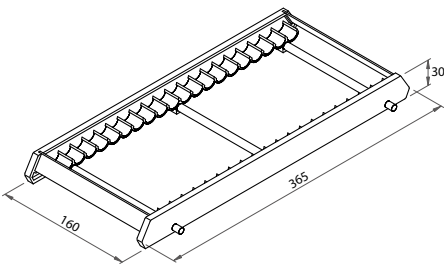
90242 14 CD/DVD Holder

- * Holds 14 pcs of CD / DVD



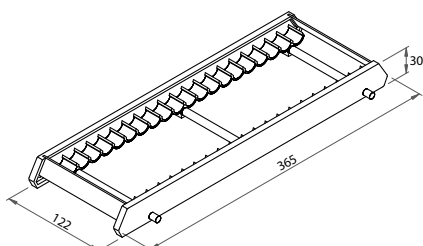
90213 20 CD/DVD Holder

- * Holds 20 pcs of CD / DVD
- * Connectable with 90273 zip disk holder



90273 20 Zip Disk Holder

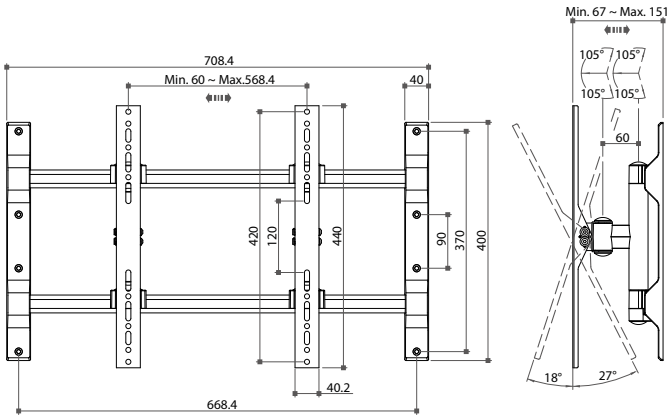
- * Holds 20 pcs of zip disk
- * Connectable with 90213 CD/DVD holder



16-6 TV Brackets

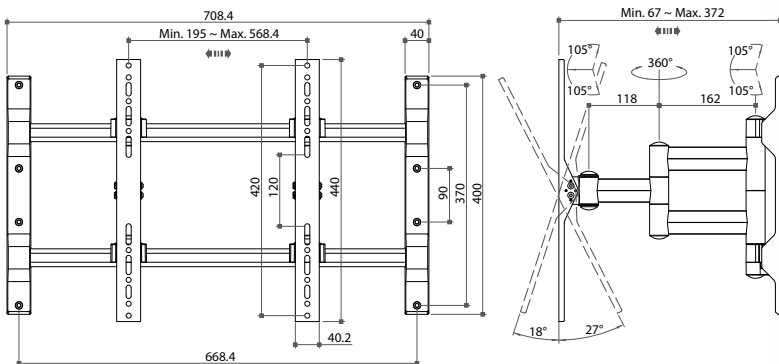
88720 TV Bracket

- * Wall mounting type
- * Loading Capacity: 50 kgs
- * Easy installation by button hook
- * VESA brackets: 200x200 / 200x400 / 400x400 / 400x600 mm
- * For 32" ~ 55" flat panel TV
- * Extendable arms with swivel (up/down/right/left) movement



88730 Adjustable Universal TV Bracket

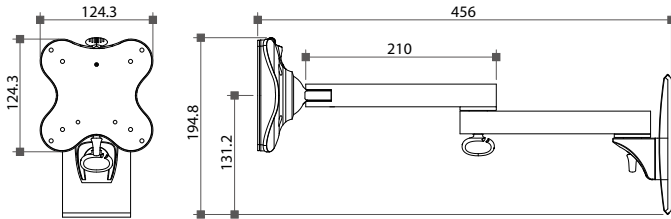
- * Wall mounting type
- * Loading Capacity: 50 kgs
- * Easy installation by button hook
- * VESA brackets: 200x200 / 200x400 / 400x400 / 400x600 mm
- * For 37" ~ 70" flat panel TV
- * With extension (67 ~ 372mm) and swivel (up/down/right/left) movements



16-6 TV Brackets

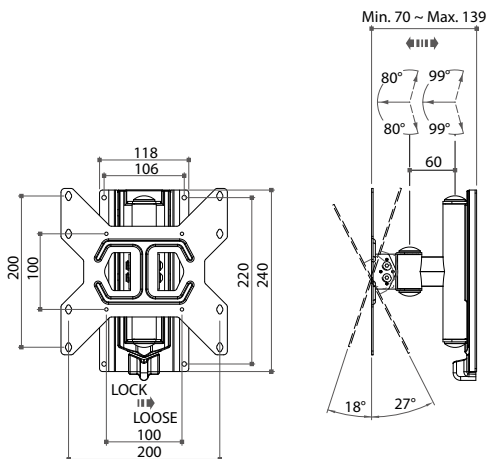
88700 TV Bracket

- * Wall mounting type
- * Loading Capacity: 12 kgs
- * Quick release and anti-theft mechanisms
- * VESA brackets: 75x75 / 100x100 mm
- * For 10" ~ 26" flat panel TV



88710 TV Bracket

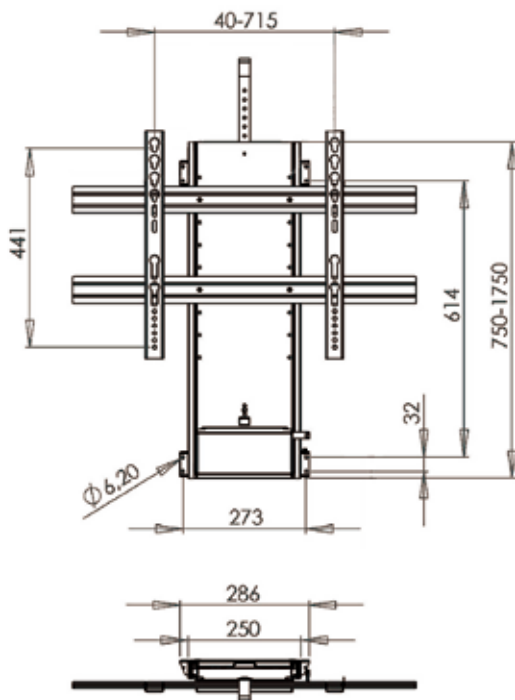
- * Wall mounting type
- * Loading Capacity: 30 kgs
- * Easy installation by button hook
- * VESA brackets: 100x100 / 100x200 / 200x200 mm
- * For 22" ~ 32" flat panel TV
- * Extendable arms with swivel (up/down/right/left) movement



16-7 TV Lifts

PL1000 Flat Panel TV Lifter

- * Material: steel, black powder coated
- * Operations: switch & remote control
- * Loading capacity:
min. 5 kgs ~ max. 100 kgs
- * Max. stroke: 1,000mm
- * Easy and fast mounting
- * Reverse safety function
- * Option: VESA bracket
- * For 37" ~ 70" TV
- * Reverse installation also available



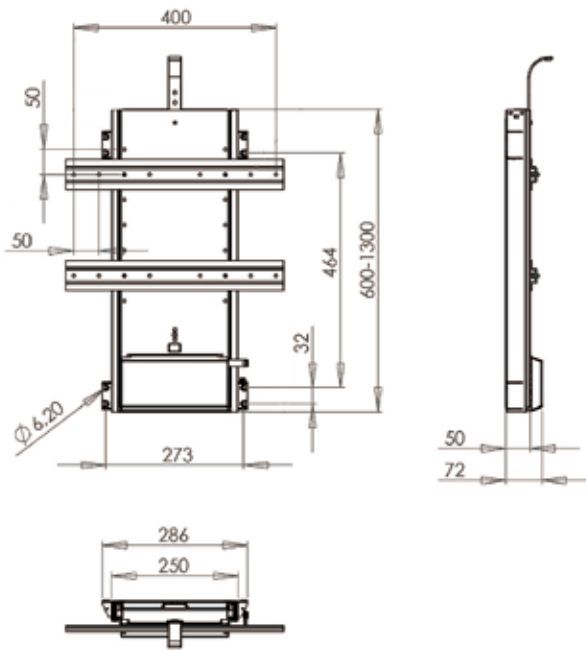
1 meter of traveling
(750 ~ 1,750mm)



16-7 TV Lifts

PL700 Flat Panel TV Lifter

- * Material: steel, black powder coated
- * Operations: switch & remote control
- * Loading capacity: min. 5 kgs ~ max. 100 kgs
- * Max. stroke: 700mm
- * Easy and fast mounting
- * Reverse safety function
- * Optional: VESA bracket
- * For 26" ~ 42" TV
- * Reverse installation also available



700mm of traveling
(600 ~ 1,300mm)



16-7 TV Lifts

PL460A-MB Monitor Lifter

- * Computer screen (monitor) and printer can be hidden when not in use
- * For use in conference, training room and schools
- * Plenty of PL460A can be used together in one large table
- * For use in home office or kitchen island & table, limit access to your computer by storing remote control to secure private information, protects your computer from dust, sunlight and static electricity
- * VESA bracket included, in various sizes: 50x50, 75x75, 100x100, 100x120, 200x200mm
- * Lifting capacity: 0 ~ 50 kgs
- * Input power 110 ~ 240 VAC / 50 ~ 60 Hz
- * AC plug: EU / UK / US / NZ / AUS

