



17-1 Jewel Box Fittings  
P. 342-344

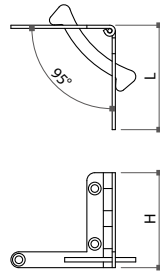
17-2 Drill & Boring Bits  
P. 345-348

17-3 Woodworking Tools  
P. 349-354

# 17-1 Jewel Box Fittings

## Cigar Box Hinges (Humidor Hinges)

- \* With 95° stop arm
- \* Material: solid brass
- \* Finish: polished & lacquered or gold plated



Item No.	Dimension (HxL)
20653	30x32mm
20655	31x43mm
20652	41x48mm

## Mini Cylinder Hinges (Jewel Box Hinges)

- \* Material: solid brass
- \* Finish: original color



Item No.	Size
20683	Ø5x9.7mm
20686	Ø5x12mm

## Solid Brass Cylinder Hinges

- \* Fully invisible hinge, 180° opening



Item No.	Size
20571	Ø10mm
20572	Ø12mm
20573	Ø14mm

## Jewel Box Hinges

- \* Material: solid brass



Item No.	Size
20692	9.6x76mm
20697	6.5x74.5mm

## Jewel Box Hinge

- \* Material: steel
- \* Finish: brass plated



Item No.	Size
20682	19.3x24.4mm
20687	25x31.5mm

## 22013 Jewel Box Lid support

- \* Material: steel
- \* Finish: brass plated
- \* Length: 44mm



Item No.	Length
22013	44mm

## 63681 Jewel Box Latch

- \* Material: steel
- \* Finish: brass plated
- \* Size : 45x31mm



Item No.	Size
63681	45x31mm

# 17-1 Jewel Box Fittings

## 63684 Jewel Box Latch

- \* Material: steel
- \* Finish: brass plated
- \* Size : 34x44.5mm



Item No.	Size
63684	34x44.5mm

## 63683 Jewel Box Latch

- \* Material: solid brass
- \* Size : 31x38mm



Item No.	Size
63683	31x38mm

## 63695 Jewel Box Latch

- \* Material: steel
- \* Finish: brass plated
- \* Size : 27.2x29mm



Item No.	Size
63695	27.2x29mm

## 63696 Jewel Box Latch

- \* Material: steel
- \* Finish: brass plated
- \* Size : 30x20.5mm



Item No.	Size
63696	30x20.5mm

## 63694 Jewel Box Latch

- \* Material: solid brass
- \* Size : 20x26mm



Item No.	Size
63694	20x26mm

## 63658 Jewel Box Lock

- \* Material: steel
- \* Each set consists of :  
1pc of lock body  
1pc of strike plate  
1pc of rosette  
1pc of key



## 63659 Jewel Box Lock

- \* Material: steel
- \* Each set consists of :  
1pc of lock body  
1pc of lock cover  
1pc of strike plate  
1pc of rosette  
1pc of key



## 63882 Jewel Box Hasp

- \* Material: steel
- \* Finish: brass plated
- \* Size : 22.5x43mm



Item No.	Size
63882	22.5x43mm



# 17-1 Jewel Box Fittings



## HD001 Humidifier

- \* Material: plastic
- \* Dimension: Ø59x17mm H.
- \* With self-adhesive cushion
- \* Finish: gold plated



## HD002 Humidifier

- \* Material: plastic
- \* Dimension: Ø57x14mm H.
- \* With self-adhesive cushion
- \* Finish: black



Item No.	Dimension
HD001	Ø59x17mm H.

Item No.	Dimension
HD002	Ø57x14mm H.

## Hygrometer

**HM044** Dimension: Ø44x20mm H.

**HM070** Dimension: Ø70x20mm H.

- \* Material: plastic
- \* With self-adhesive cushion or magic tape
- \* Finish: black or brass frame



HM044



HM070

Item No.	Dimension
HM044	Ø44x20mm H.
HM070	Ø70x20mm H.

## HM073 Electronic Hygrometer

- \* With self-adhesive cushion
- \* Dimension: 62x29mm

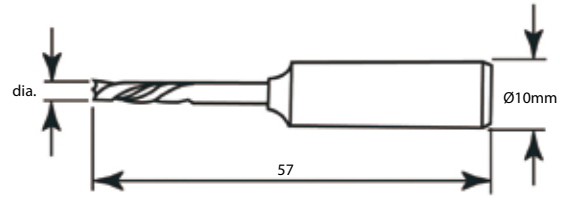


Item No.	Dimension
HM073	62x29mm

# 17-2 Drill & Boring Bits

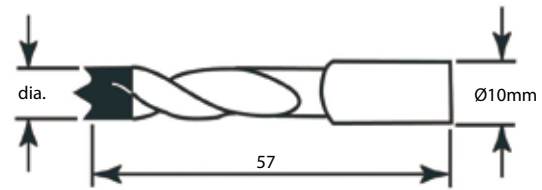
## 2390 SD Boring Bits

- \* Suitable for predrilling screw holes in diameter of  $\varnothing 2, 2.5, 3$  and  $4\text{mm}$
- \* Tungsten carbide tipped
- \* Shank size:  $\varnothing 10\text{mm}$ , overall length:  $57\text{mm}$
- \* Right or left hand



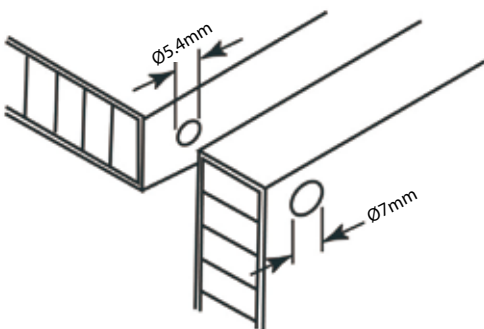
## 2400 DD Boring Bits

- \* Ideal to predrill dowel holes in diameter of  $\varnothing 5, 6, 8$  and  $10\text{mm}$
- \* Tungsten carbide tipped
- \* Shank size:  $\varnothing 10\text{mm}$ , overall length:  $57\text{mm}$
- \* Right or left hand



## 2410 ST Step Drill Bit

- \* High speed steel
- \* Diameter step  $7$  and  $5.4\text{mm}$ , shank size:  $\varnothing 10\text{mm}$
- \* Ideal to make holes for connecting screws  $7 \times 40\text{mm}$ ,  $7 \times 50\text{mm}$ ,  $7 \times 70\text{mm}$  etc.,



# 17-2 Drill & Boring Bits

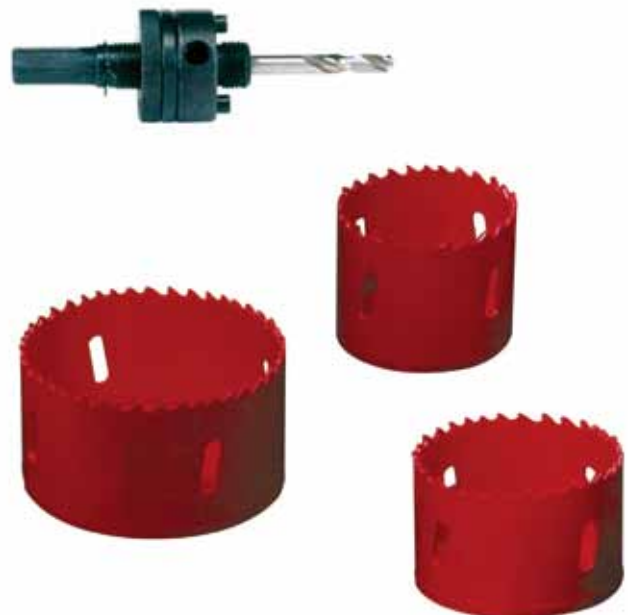
## 2330 Series T.C.T. Hole Saw

- \* For wood cutting hole,  $\varnothing 22 \sim 115\text{mm}$  available
- \* Max. cutting depth: 60mm
- \* Arbor included with each hole saw



## 2340KIT Hole saws - Suitable for FW 48 / 54 / 67 Down Lights

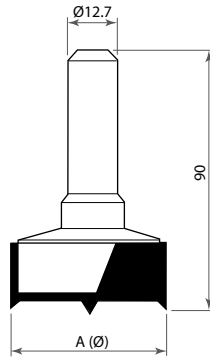
- \* Complete kit including 1 pc of arbor, 1 pc of  $\varnothing 48\text{mm}$  hole saw, 1 pc of  $\varnothing 54\text{mm}$  hole saw, 1 pc of  $\varnothing 67\text{mm}$  hole saw
- \* Arbor fitted with high speed pilot drill, hex shank 11mm (7/16")



# 17-2 Drill & Boring Bits

## 231 Series Hinge Boring Bits

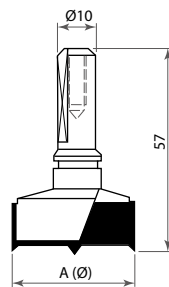
- \* Tungsten carbide tipped
- \* Right hand (in black) and left hand (in red) available



Item No.	A
231-19	Ø19mm
231-22	Ø22.2mm
231-25	Ø25.4mm
231-29	Ø28.6mm
231-32	Ø31.8mm
231-35	Ø35mm
231-38	Ø38.1mm
231-41	Ø41.3mm
231-45	Ø44.5mm
231-48	Ø47.6mm
231-51	Ø50.8mm
231-54	Ø54mm

## 232 Series Hinge Boring Bits With Inner Thread

- \* Tungsten carbide tipped
- \* Right hand (in black) and left hand (in red) available

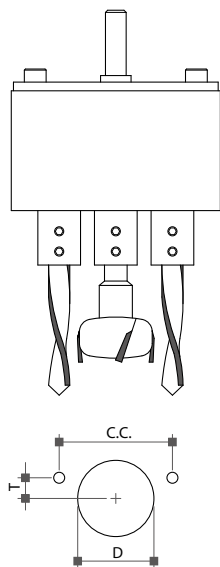
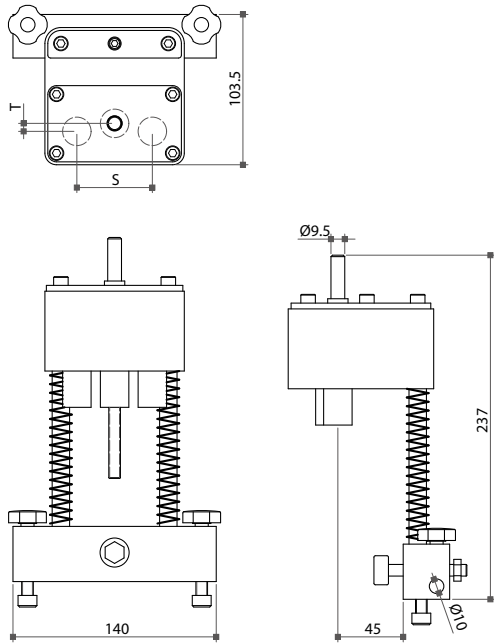


Item No.	A
232-15	Ø15mm
232-20	Ø20mm
232-25	Ø25mm
232-26	Ø26mm
232-30	Ø30mm
232-35	Ø35mm
232-38	Ø38mm
232-40	Ø40mm

# 17-2 Drill & Boring Bits

## Portable Drilling Set for Hinges

- \* Accomplish 3 predrilled holes at one time, one Ø35mm or 26mm cup hole and two screw or dowel holes
- \* Fits standard hand drill or small drilling machine, easy assembly
- \* Portable, handy and very useful



Item No.	C.C.	T	D
9143-451	45mm	9.5mm	Ø35mm
9143-521	52mm	5.5mm	Ø35mm
9143-481	48mm	6.0mm	Ø35mm
9143-482	48mm	9.0mm	Ø35mm
9143-421	42mm	11.0mm	Ø35mm
9142-381	38mm	7.5mm	Ø26mm



# 17-3 Woodworking Tools

## 99400 Wooden Handscrew Clamp

- \* Parallel clamp
- \* Classic jaw reach applies even pressure across the work piece
- \* Simply turn the pivoting hand screws to adjust irregular object



Item No.	Opening capacity	Jaw length	Clamp depth
99400-1	55mm	120mm	52mm
99400-2	77mm	152mm	80mm
99400-3	130mm	203mm	110mm
99400-4	180mm	254mm	127mm
99400-5	236mm	305mm	158mm

## 99410 Edge Gluing Clamp

- \* Opposing cams self-center and grip panel as edge treatment is clamped in place
- \* Ideal for contoured or straight edge profiles
- \* One hand operation



Item No.	Opening capacity	Throat depth	Clamp surface
99410-1	3-1/2"	4-3/4"	N/A
99410-2	1-7/8"	2-7/8"	1-3/8"

## 99420 Manual Power Clamp

- \* Comfortable TPR grips
- \* Material: 75% nylon + 25% fiberglass (two-tone)
- \* Jaw capacity: 1-1/2"(38mm), 2-1/4"(58mm), 4"(100mm)



# 17-3 Woodworking Tools

## 99430 New Bar Clamps/Spreader

- \* Material of body: nylon + fiberglass
- \* Material of bar: carbon steel
- \* Material of jaw: soft TPR / comfortable TPR grips
- \* Clamping capacity: 6" (150mm), 12" (300mm), 18" (450mm), 24" (600mm) & 36" (900mm)
- \* Spreading capacity: 6-1/2" ~ 14", 6-1/2" ~ 20", 6-1/2" ~ 26", 6-1/2" ~ 32" & 6-1/2" ~ 44"
- \* Pressure: 130 ~ 160kgs
- \* Throat depth: 3-1/4" (85mm)
- \* Quick-change jaw allows change from clamps to spreader without extra tools



## 99440 Panel Grip

- \* Carry large panels up to 1-1/8" thick with ease
- \* Two opposing cams firmly grip the panel during carrying



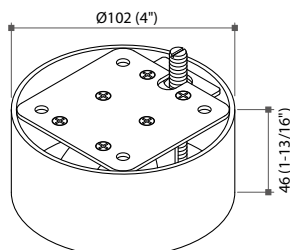
## 99450 Cabinet Castor Bolt-On Mobility

- \* For panel thickness from 5/8" ~ 1-1/4"
- \* Castor size: Ø2"
- \* The cabinet caster provides easy, bolt-on mobility to any cabinet
- \* Rigid steel construction and 2" wheel loading 160 pounds
- \* Adjustment of leveling foot: 1"



## 99452 Cabinet Wheel Bolt-On Mobility

- \* Simply screw fixing under the cabinet bottom
- \* Release the adjustable glide to suspend the wheel for staying put. Fasten the adjustable glide to land the wheel for movement



# 17-3 Woodworking Tools

## 99470 2 in 1 Edge Trimmer

- \* A set contains two blades and a mounting handle
- \* With a straight blade for trimming laminates and veneers and a second blade for chamfering
- \* The chamfer blade provides two options of radii with the same blade
- \* Both blades are re-sharpenable HSS and can be interchanged quickly ensuring minimum downtime
- \* At 1-1/2" wide by 2-7/16" long
- \* It mortises into any bench with top thicker than 7/8"



## 99480 Corner Plane

- \* Effective tool for removing sharp corners with one clean swipe



## 9104 Double Edge Trimmer

- \* Suitable for work pieces of 9/16" ~ 7/8" thickness
- \* Hardened steel blade
- \* Simultaneously trim both sides of edge banded work

## 9104RK Replacement Blade Set



# 17-3 Woodworking Tools

## 99490 Edge Bander / Heat Gun

- \* Electronically controlled German made heat gun (115V cUL and 220V CE) adjustable between 100° and 600°
- \* A wide range of banding materials from 3/4" ~ 2" (19 ~ 51mm) wide
- \* Facilitates applying pre-glued edge banding
- \* Pre-glued banding is fed through a blast of hot air prior to being applied to the edge of the board material
- \* Built-in cut-off knife is actuated with the blow of hand for quick cutting



## 99500 Edge Banding Iron

- \* Voltage: 110 ~ 120V/AC
- \* Electric current: 1.0 ~ 1.3A
- \* Low temperature: 70°C ± 10°C
- \* High temperature: 90°C ~ 240°C
- \* Apply pre-glued edge banding with ease and accuracy
- \* The thermostatically controlled short preheat time prompts efficient work
- \* Heat resistant metal base provided for resting between use



## 99510 Portable Edge Bander Set

- \* Handles edge banding up to 50mm wide x 1mm thick or 30mm wide x 2mm thick
- \* Fully adjustable from 50°C ~ 610°C, max. 2,000W input
- \* Weight: 3 kg





# 17-3 Woodworking Tools

## 99520 J Holder Roller

\* Length of handle: 4.7" (120mm)



Item No.	Roller width
99520-1	6.3" (160mm)
99520-2	9.2" (234mm)
99520-3	3" (76.2mm) x3 pic

## 99530 Laminate Roller With Extension Handle

- \* Roller width: 7-1/2" (190.5mm)
- \* The handle can be extended from 17" ~ 27" (432 ~ 686mm) by twisting the handle



## 99540 J Holder Roller With Header

- \* 3" (76.2mm) wide roller
- \* The rollers efficiently apply operating pressure to laminates and veneers for better glue joining
- \* With comfortable grips and rubber roller for even pressure distribution
- \* Handle type: straight handle or high pressure handle





# 17-3 Woodworking Tools

## 99550 Magnetic Parts Tray

- \* Size: 4"x8" (102x203mm) or 4"x4" (102x102mm)
- \* ABS hood is optional
- \* All ferrous parts stay put no matter the tray is vertical or horizontal



99550-1

99550-2



99550-3

99550-4

Item No.	Size	Feature
99550-1	4"x8" (102x203mm)	with hood
99550-2	4"x4" (102x102mm)	with hood
99550-3	4"x8" (102x203mm)	without hood
99550-4	4"x4" (102x102mm)	without hood

## 99560 Aluminium Dustpan

- \* Size: 17" or 12" width
- \* Aluminium dustpan in zinc plating

